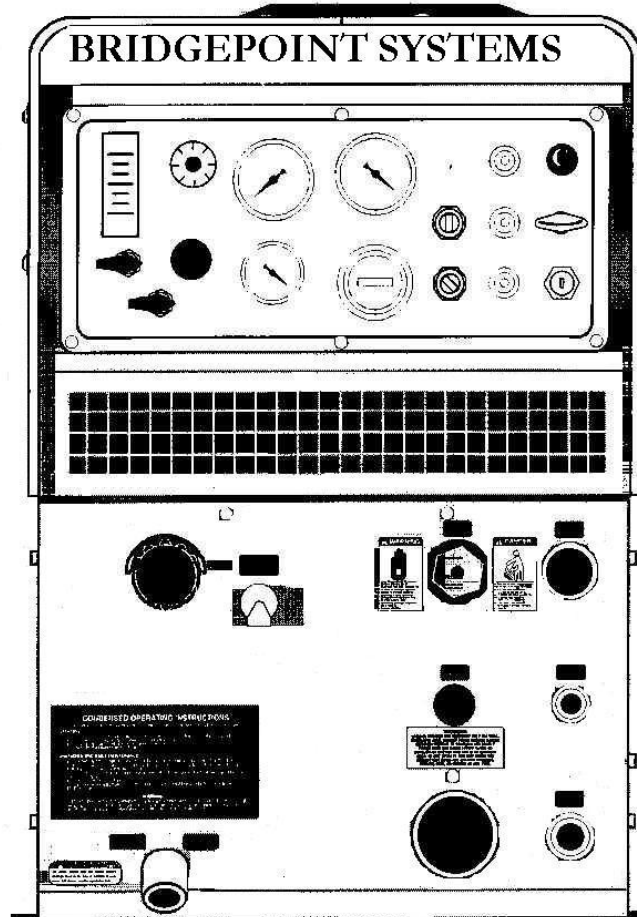


# BRIDGEPOINT SYSTEMS SABER 2000



April 1999

## OPERATION & SERVICE MANUAL

Bridgepoint Systems, 4282 S. 590 W., Salt Lake City UT 84123 (800)658-5314/(801)261-1282

**Welcome...and congratulations on your purchase of the BRIDGEPOINT SYSTEMS SABER 2000 mobile cleaning unit. This instruction manual is a guide for operating and servicing your SABER 2000. Read this manual completely before installing or operating this unit.**

This unit offers you personal convenience. All of your instrumentation and controls have been positioned to give you easy access for operation and daily maintenance.

Proper operation and service are essential to the efficient functioning of this unit. When maintained correctly, this unit will have a long, trouble-free life.

The service methods described in this manual are explained in such a manner that servicing may be performed accurately and safely. Proper service varies with the choice of procedure, the skill of the mechanic, and the tools or parts available. Before attempting any repair, make certain that you are thoroughly familiar with this equipment and are equipped with the proper tools. Any questions pertaining to operating or servicing this unit should be directed to the nearest BRIDGEPOINT SYSTEMS distributor.

The headings: **CAUTION** or **WARNING** are used to warn you that steps must be taken to prevent personal injury and/or damage to the unit. Make certain that you read all instructions entirely before proceeding with the operation of the unit.

**THIS UNIT MUST BE INSTALLED BY THE DISTRIBUTOR FROM WHOM YOU PURCHASED IT IN ACCORDANCE WITH PRESCRIBED BRIDGEPOINT SYSTEMS INSTALLATION PROCEDURES.**

**MAKE CERTAIN THAT THE WARRANTY CARD IS FILLED OUT BY THE DISTRIBUTOR FROM WHOM YOU PURCHASED THIS UNIT AND RETURNED TO THE MANUFACTURER!**

Please record your unit serial number here for future information or if you should need to contact the factory for any reason.

This operation and service manual is written specifically for the BRIDGEPOINT SYSTEMS SABER 2000 mobile cleaning unit which is manufactured by:

**PROFESSIONAL CHEMICALS CORPORATION**  
325 SOUTH PRICE ROAD  
CHANDLER, ARIZONA 85224

Information in this document is subject to change without notice and does not represent a commitment on the part of Professional Chemicals Corporation.

All rights reserved. Copyright © 1999 by Professional Chemicals Corporation. No part of this work may be reproduced or used in any form or by any means - graphic, electronic, photocopying, taping, or electronic retrieval systems - without the express written permission of Professional Chemicals Corporation.

Published by Professional Chemicals Corporation.  
Second printing: April 1999  
Printed in USA

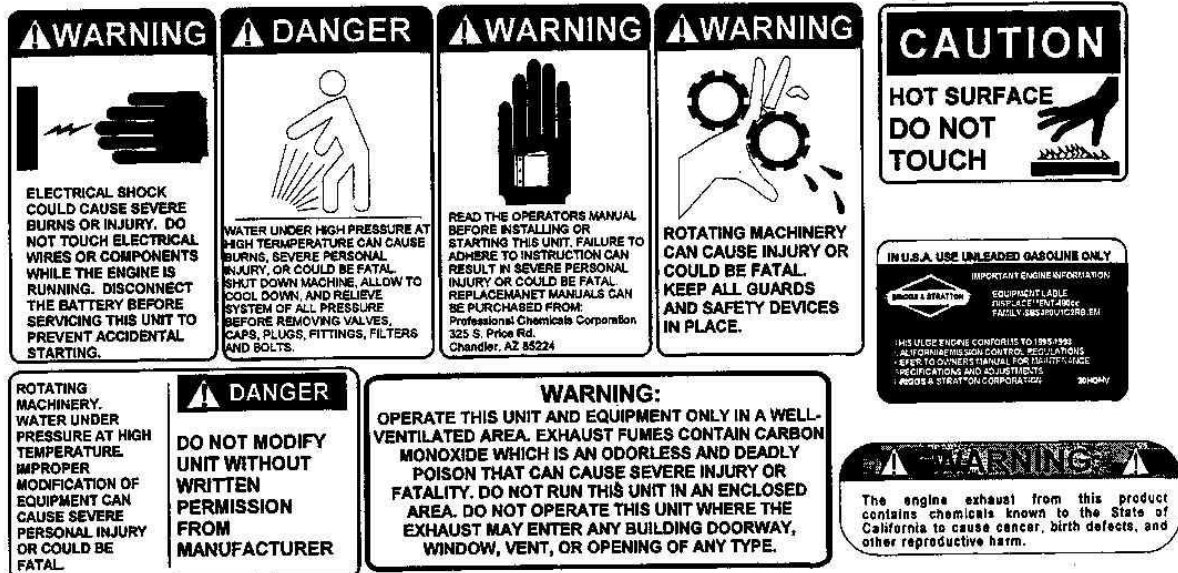
**BRIDGEPOINT SYSTEMS**  
**SABER 2000 MANUAL**  
**#67-945422**

# 1 SAFETY



## WARNING: For Your Safety!

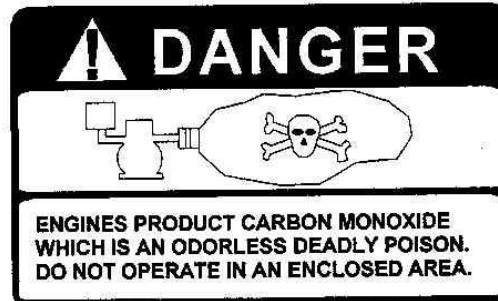
The following **WARNING LABELS** are found on your SABER 2000 console. These labels point out important **Warnings** and **Cautions** which should be followed at **all** times. Failure to follow warnings and cautions could result in fatality, personal injury to yourself and/or others, or property damage. Follow these instructions carefully! **DO NOT** remove these labels.



Order Part #48-941212 to get a complete set of decals (safety and instrumentation) for your SABER 2000 cleaning unit. The following decals must be placed in a prominent spot on the vehicle that your unit is to be installed in where access is given to operate the unit. See Figure 13 on page 23 for suggested locations for these decals.



Decal, Fuel Clean-up  
Part #48-941317



Decal, Carbon Monoxide  
Part #48-941316



This symbol means **WARNING** or **CAUTION**. Failure to follow warnings and cautions could result in fatality, personal injury to yourself and/or others, or property damage. Follow these instructions carefully!



### **WARNING!**

1. **Read the operator's manual before installing or starting this unit.** Failure to adhere to instructions could result in severe personal injury or could be fatal.
2. **Operate this unit and equipment only in a well-ventilated area.** Exhaust fumes contain carbon monoxide which is an odorless and deadly poison that can cause severe injury or fatality. **DO NOT** run this unit in an enclosed area. **DO NOT** operate this unit where the exhaust may enter any building doorway, window, vent, or opening of any type.
3. **Gasoline is extremely flammable and its vapors can explode if ignited.** Store gasoline only in approved containers, in well-ventilated, unoccupied buildings away from sparks or flames. Never carry any gasoline or flammable material in the vehicle. Fumes may accumulate inside the vehicle and ignite, causing an explosion. **DO NOT** store any type of flammable material in the vehicle.
4. **This unit must be operated with the vehicle or trailer doors open in order to ensure adequate engine ventilation.**
5. **DO NOT operate engine if gasoline is spilled.** Avoid creating any ignition until the gasoline has been cleaned up. Never use gasoline as a cleaning agent.
6. **DO NOT place hands, feet, hair, or clothing near rotating or moving parts.** Avoid any contact with moving parts. Rotating

machinery can cause injury or fatality.

7. **Never operate this unit without belt guards.** The high speed moving parts, such as belts and pulleys, should be avoided while this unit is running. Severe injury, damage, or fatality may result.

8. **DO NOT service this unit while it is running.** The high-speed mechanical parts as well as high temperature components may result in severe injury or severed limbs.

9. **Never touch electrical wires or components while the engine is running.** They can be sources of electrical shock.

10. **Engine components can get extremely hot from operation.** To prevent severe burns, **DO NOT** touch these areas while the engine is running - or immediately after the engine is turned off.

11. **DO NOT touch the exhaust diverter valve or any part of the exhaust system while the unit is running.** Severe burns may result.

12. **Before servicing this unit, allow it to "cool down."** This will prevent burns from occurring.

13. **Water under high pressure at high temperature can cause burns, severe personal injury, or fatality.** Shut down machine, allow to cool down, and relieve system of all pressure before removing valves, caps, plugs, fittings, filters, and bolts.

14. **DO NOT leave the vehicle engine running while operating this unit.**

15. **Dangerous Acid, Explosive Gases!** Batteries contain sulfuric acid. To prevent acid burns, avoid contact with skin, eyes and clothing. Batteries produce explosive hydrogen gas while being charged. To prevent a fire or

explosion, charge batteries only in well ventilated areas. Keep sparks, open flames, and other sources of ignition away from the battery at all times. Keep batteries out of the reach of children. Remove all jewelry when servicing batteries.

Before disconnecting the negative (-) ground cable, make sure all switches are OFF. If ON, a spark will occur at the ground cable terminal which could cause an explosion if hydrogen gas or gasoline vapors are present. When disconnecting the battery, ALWAYS disconnect the negative (-) terminal FIRST.

**16. DO NOT smoke around the unit.** Gas fumes may accumulate and be ignited. The battery is also extremely flammable. This will prevent possible explosions.

**17. DO NOT damage the vehicle in any manner during installation.** When routing fuel lines **DO NOT** place the hose in any location where damage may occur to the hose or vehicle. Avoid any contact with moving parts, areas of high temperature, brake or fuel lines, muffler, catalytic converter, or sharp objects.

**18. DO NOT cut or splice any of the vehicle fuel lines during fuel line installation.** This may result in fuel leaks and potentially dangerous conditions. There is no fuel solenoid shut off on this unit. Use only the provided abrasion resistant fuel hose for fuel lines. When traversing the vehicle floor with fuel lines, always use a bulkhead adapter. This will prevent leakage and ensure that the hose is not punctured by vehicle vibration abrasion.

**19. DO NOT exceed your vehicle's weight limit.** The console with waste tank and accessories weighs approximately 770 lbs. (860 lbs. if mounted on water tank.) Make certain that the vehicle has the correct axle rating. This will prevent unsafe vehicle driving conditions.

**20. We require high-back seats on all vehi-**

**cles in which units are to be installed for head and neck protection.** We recommend using a metal partition between the seats and equipment.

**21. DO NOT operate this unit without the water supply attached and turned on.** The water pump and other vital components may be seriously damaged if this unit is permitted to operate dry without water. This unit is equipped with a low pressure shut-down device. **DO NOT** bypass or operate this unit without the low pressure shut-down switch.

**22. Keep your vehicle work area clean.** Wands, stair tools, and other accessories must be securely fastened before driving the vehicle.

**23. All high pressure hoses must be rated for 3000 PSI at 250°F.** Thermoplastic hoses do not meet these specifications and should not be used. Severe burns and injury may result if the hoses do not meet these requirements.

**24. The winterizing loop hose assembly, Part #10-805380, is for winterizing use only.** If used improperly, live steam may escape from this hose, causing it to whip around. Burns or injury may result.

**25. Make certain that you receive complete training by the distributor from whom you purchased this unit.**

**26. This unit uses high pressure and temperature. Improper or irresponsible use may result in serious injury.**

**27. Do not modify this unit in any manner.** Improper modification can cause severe personal injury or fatality.

**28. CALIFORNIA PROPOSITION 65 WARNING:** Engine exhaust from this product contains chemicals known to the State of California to cause cancer, birth defects, or other reproductive harm.

**SPECIFICATIONS:**

Engine speed	3000 rpm (high speed) 1400 rpm (idle speed)
Water pump rpm	1480 rpm
Vacuum pump rpm	3000 rpm
Water flow rate	3.5 GPM
Water pump pressure	1000 PSI (maximum)
Vacuum relief valve	13" Hg
Waste tank capacity	56 Gallons (42 Gallons to shut-off)
Console weight	586 lbs. (676 lbs. if mounted on water tank)
Console weight (with waste tank and accessories)	770 lbs. (860 lbs. if mounted on water tank)

**TORQUE VALUES**

Component	inch/lbs	foot/lbs
Engine hub	264	22
Vacuum pump hub	192	16

**JET SIZING**

BRIDGEPOINT SYSTEMS recommends **floor tool** tip sizing not exceed a total of ".06". Using larger jet sizes on your SABER 2000 may reduce cleaning temperatures.

**Example: Quad-jet wand uses four 95015 jets (95° spray angle w/ 015 orifice).**  
 $015 \times 4 = 06$

**Upholstery tool jet size: 80015**

**Stair tool jet size: 9502**

**1. INSTALLATION REQUIREMENTS**

Prior to starting the installation, first read the ENTIRE "Installation" section of this manual. Since the SABER 2000 cleaning unit (with waste tank and accessories) weighs 770 lbs. (860 lbs. if mounted on water tank), consider the following recommendations before installing this unit.

1. The unit should **NOT** be mounted in any motor vehicle of less than **1/2 ton capacity**, or **3/4 ton capacity** if mounted on the auxiliary water tank.



**CAUTION:**

The console with waste tank and accessories must **NOT** exceed the vehicle's axle weight limit.

2. If mounting in a trailer, make certain that the trailer is rated for the total weight of the **UNIT AND TRAILER**. Electric or hydraulic brakes should be provided, and a strict compliance with any State and Federal vehicle laws must be maintained.
3. The vehicle tires should have a load rating above the combined vehicle and unit weight.
4. We do not recommend using flooring materials that absorb water. This could result in rust and corrosion of the vehicle floor.
5. Padding under rubber floor mats should be removed before installing this unit.
6. We highly recommend using a galvanized drip tray under the console (Part #56-501845, or #56-501930 if mounted on water tank).
7. If using a trailer, the SABER 2000 console should be positioned so that it balances properly with respect to the axle. Ten percent (10%) of the overall unit weight (without

accessories or water) should be on the tongue.

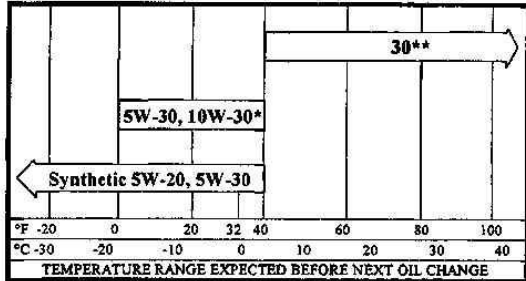
**2. FUEL REQUIREMENTS**

Use **unleaded gasoline ONLY**. **DO NOT** use any gasoline additives. We recommend the use of clean, fresh, unleaded gasoline intended for automotive use. High octane gasoline should **NOT** be used with the engine on this unit.

**3. ENGINE OIL REQUIREMENTS**

Use high quality detergent oil of at least API (American Petroleum Institute) service class SF or SG. Select the viscosity based on the air temperature at the time of operation as shown in the following table. **NOTE:** Using less than service class SF or SG oil or extending oil change intervals longer than recommended can cause engine damage.

RECOMMENDED SAE VISCOSITY GRADE



\*Air cooled engines run hotter than automotive engines. The use of multi-viscosity oil such as 10W-30, etc., in ambient temperatures above 40°F (4°C) will result in higher than normal oil consumption. If multi-viscosity oil is used, check the oil level more frequently to prevent any possible engine damage due to lack of lubrication.

\*\*Use of SAE 30 oil below 40°F (4°C) will result in hard starting and possible engine damage due to inadequate lubrication.

**4. CHEMICAL REQUIREMENTS**

The SABER 2000, due to its chemical injection pump design, can be used with a variety of water-diluted chemical compounds (either acidic or alkaline), depending on the job to be done. However, to obtain optimum results with this unit, we recommend using the BRIDGEPOINT SYSTEMS line of chemicals. For information on chemicals, contact your nearest BRIDGEPOINT SYSTEMS distributor.

**5. WATER REQUIREMENTS**

Hard water deposits will adversely affect the plumbing and heat exchange systems on this unit. The map below will give you an idea of where areas of high water hardness may occur. However, any water supply obtained from a well is almost always hard water and a water softener will be needed to protect your equipment.



**NOTE:**




**Equipment malfunction or component failure caused by hard water scaling is NOT covered under the warranty.**

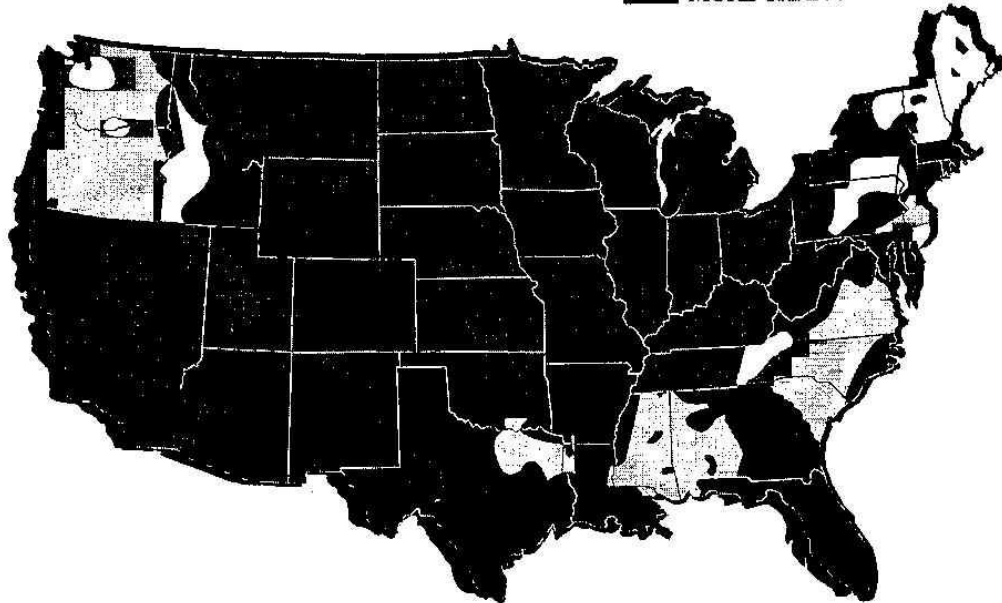
If you are operating this unit in an area where the unit will be using water in which the hardness exceeds 3-1/2 grains, we highly recommend a suitable water softener be installed. If using a water softener, it must have a five (5) GPM (or greater) flow capacity without any hose constrictions.

Using a water softener will reduce maintenance and decrease down time caused by hard water scaling. It will also allow cleaning chemicals to be more effective in lower concentrations.

If you require a water softener, BRIDGEPOINT SYSTEMS has a model to meet your needs. Please contact your distributor for information, price, and availability.

**Figure 1 HARD WATER MAP**

-  LESS THAN 3.5
-  3.5 TO 7
-  MORE THAN 7





## 2 RECEIVING YOUR UNIT

This chapter of the operator's manual contains information on receiving your BRIDGEPOINT SYSTEMS SABER 2000.

### 1. DEALER RESPONSIBILITY

THE BRIDGEPOINT SYSTEMS DISTRIBUTOR FROM WHOM YOU PURCHASED THIS MOBILE CLEANING UNIT IS RESPONSIBLE FOR THE CORRECT INSTALLATION OF THIS MACHINE. THE DISTRIBUTOR IS ALSO RESPONSIBLE FOR INITIAL TRAINING OF YOUR OPERATORS AND MAINTENANCE PERSONNEL IN THE PROPER OPERATION AND MAINTENANCE OF THIS UNIT.

### 2. ACCEPTANCE OF SHIPMENT

Every part of your BRIDGEPOINT SYSTEMS SABER 2000 cleaning unit was carefully checked, tested, and inspected before it left the manufacturing plant. Upon receiving the unit, make the following acceptance check:

1. The unit should not show any outward signs of damage. If damaged, notify the common carrier immediately.
2. Check your equipment and packing list. The standard BRIDGEPOINT SYSTEMS SABER 2000 cleaning unit should arrive equipped with the following items (unless otherwise specified) and any optional accessories which were ordered:

### 3. EQUIPMENT LIST

- A) BRIDGEPOINT SYSTEMS SABER 2000 console.
- B) Operation and service manual with engine, water pump, and vacuum pump manuals.
- C) Installation bolting kit.
- D) Installation mounting plates.
- E) Fittings and hoses for fuel supply installation.
- F) Hose clamps for fuel & vacuum hoses.
- G) External fuel pump installation kit.
- H) Carpet wand.
- I) Waste tank w/float switch.
- J) Waste tank filter and strainer basket.
- K) 100 ft. of 2" vacuum hose.
- L) 1 vacuum hose connector.
- M) 100 ft. of 1/4" high pressure hose with quick connects.
- N) 50 ft. water supply hose with quick connect.

### 4. OPTIONAL EQUIPMENT

- O) Winterizing loop hose. Part #10-805380.
- P) Upholstery tool and stair tool.
- Q) Extra wands.
- R) Hose reel. Part #65-950393.

**S) Extra vacuum hoses. Part #10-805060.**

**T) Extra vacuum hose connectors. Part #12-800078.**

**U) Extra high pressure water hoses. Part #10-805122.**

**V) 60 gallon auxiliary water tank with demand pump (molded plastic water tank.) Part #66-945265.**

**W) Automatic waste pump-out kit. Part #66-945193.**

**X) Water softener. Part #66-945430.**

**Y) Galvanized drip pan. Part #56-501845 (Part #56-501930 if mounted on water tank.)**

**Z) Pressure wash gun. Part #60-950168.**

<b>N O T E S</b>

## 3 INSTALLATION



### WARNING!

All units must be bolted to the floor of the vehicle.

#### 1. LIFTING THE UNIT ONTO THE VEHICLE

Since the SABER 2000 console weighs approximately 586 pounds (676 lbs. when mounted on water tank), we recommend using a fork lift to lift the unit onto the vehicle. Position the forks under the unit from the front and make **CERTAIN** that the forks are spread to the width of the base.

#### 2. POSITIONING THE UNIT IN THE VEHICLE

Because vehicles vary in size and openings, individuals have their own preference as to where they want their units installed. We strongly recommend a side door installation for the SABER 2000 and **DO NOT** recommend a rear door installation.

1. Enough space should be provided to assure adequate engine ventilation and room for service and maintenance.
2. The unit with waste tank and accessories must **NOT** exceed the vehicle's axle weight limit.
3. **DO NOT** position the console closer than 12" from the bottom of the driver and passenger seats.

**NOTE:** For individuals who wish to make an engineering layout prior to positioning the unit,

*Bridgepoint Systems Saber 2000 Operation & Service Manual*

refer to Figure 2 for waste tank and console dimensions.

#### 3. BOLTING DOWN THE UNIT AND WASTE TANK

**NOTE:** When positioning the waste tank with respect to the console, hook up the vacuum hoses to the waste tank. This will ensure that the waste tank is positioned correctly. Once the unit and waste tank are positioned in the vehicle in the desired location, you may proceed.



### CAUTION:

**Before drilling any mounting holes in the vehicle floor, make certain that when drilling, you will not do any damage to the fuel tank, fuel lines, or any vital component which might affect the operation or safety of the vehicle.**

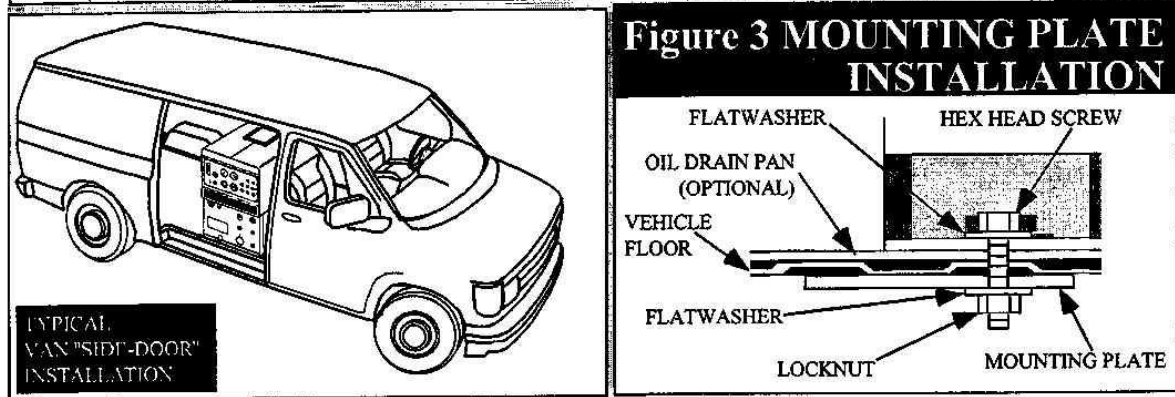
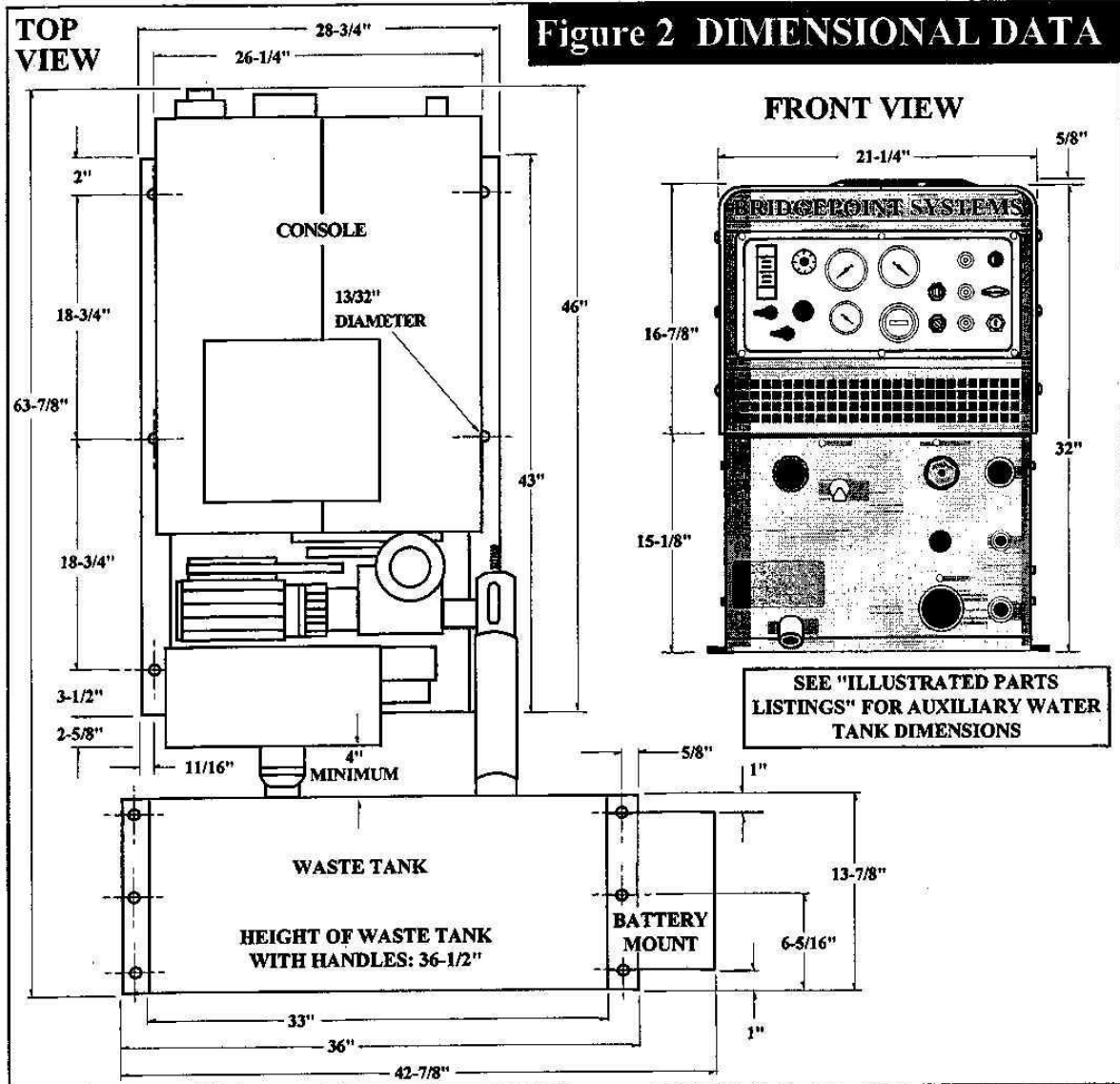
1. Using the console and waste tank mounting holes as a template, drill six 13/32" diameter holes for mounting the console and six more 13/32" diameter holes for mounting the waste tank.

2. Using the installation hardware kit:

- a) Insert six 3/8-16 x 2" hex head cap screws with flat washers through the mounting holes in the SABER 2000 console, and six 3/8-16 x 2" hex head cap screws with flat washers through the mounting holes in the waste tank.

- b) Install the mounting plates underneath the vehicle floor.

- c) Screw the 3/8-16 hex head locknuts on the mounting screws and tighten them until the console and the waste tank are firmly secured to the vehicle floor.



#### 4. INSTALLING FUEL LINE ON THE VEHICLE

READ THESE INSTRUCTIONS ENTIRELY BEFORE PROCEEDING.



#### WARNING!

Under **NO** circumstances should you splice any of the vehicle fuel lines. Severe injury or fatality may result.



#### CAUTION:

**DO NOT** damage the vehicle in any manner during installation. When routing fuel lines **DO NOT** place the hose in any location where damage may occur to the hose or vehicle. Avoid any contact with moving parts, areas of high temperature, brake lines, fuel lines, muffler, catalytic converter, or sharp objects.

The following text applies to vehicles other than 1992 (or later) Fords or 1997 (or later) Chevrolets, GMCs, and Dodges. See Figure 7 for 1992 (or later) Ford fuel line installation. See Figure 8 for 1997 (or later) Chevrolet and GMC fuel line installation. See Figure 9 for 1997 (or later) Dodge fuel line installation.

1. Select a location on the vehicle floor to drill a hole for the bulkhead adapter. This location should be situated in a position that eliminates the possibility of fuel line contact by either the operator(s) or accessories during the working hours or maintenance periods. We supply steel braid fuel hose. Make certain that the hose will reach the location you choose.



#### CAUTION:

Before drilling the fuel line hole in the vehicle floor, make certain that when drilling you will not do any damage to the fuel tank(s), fuel lines, brake lines, heat shields,

or any other vital component which might affect the operation or safety of the vehicle.

2. Drill a 5/8" (.625) diameter hole through the vehicle floor.

3. Install the 1/8P bulkhead adapter by inserting the adapter and tightening the nut on the opposite side of the van floor (Figure 4).

4. Attach a 1/8P x 1/4T elbow to the bulkhead adapter on one end (Figure 4). Attach a 1/8P street elbow and a 1/8P x 5/16H barb fitting to the other end of the bulkhead adapter.

5. Connect one 45-1/2" stainless steel hose from the fuel inlet on the console to the bulkhead adapter.

6. Disconnect from the filler neck the 2 hoses which connect the filler neck and the fuel tank by loosening the hose clamps.

7. Remove the filler neck from the vehicle. Refer to the vehicle manual for instructions and cautions.

8. Select a suitable location for drilling the hole in the filler neck. The desired location for this hole may vary. It is important that you are able to re-install the filler neck without interference from the fittings which you are adding. Therefore, choose this location wisely before proceeding.

9. Drill a 1/2" diameter hole in the filler neck after you are certain that you have chosen the proper location (Figure 6).



#### NOTE:

When assembling pipe fittings, Teflon thread sealant must be used.

10. Attach a 1/8P x 1/4T elbow to one end of the short bulkhead adapter (Figure 5).

Slide one of the seals over the threads of the bulkhead adapter against the hexagon area. Next, attach the 25", 36" or 45" stainless steel hose to the 1/8P x 1/4T elbow. Choose a length that will reach through the filler neck to the bottom of the fuel tank. If the selected hose is too short or too long, the unit will run out of fuel before the vehicle fuel tank is empty.

11. Insert the stainless steel hose (bulkhead connector first) into the filler neck until the male threads on the bulkhead connector are protruding through the 1/2" hole.

Slide the other seal over the threads and tighten the hex head nut over the seal (Figure 5).

Attach the 1/8P street elbow and 1/8P x 5/16H barb fitting to the bulkhead connector, outside the filler neck.

Make certain the fuel hose and fittings remain positioned parallel to the filler neck (Figure 6).

12. Using a hose clamp, connect one end of the 5/16" fuel hose to the fitting on the outside of the filler neck (Figure 5).

13. Re-install the filler neck on the vehicle.

14. Insert the filler neck fuel hose into the fuel tank and make certain the end is at the bottom of the tank.

15. Re-connect the 2 hoses which connect the filler neck and the fuel tank. Make certain they are clamped correctly.

16. Route the 5/16" fuel hose underneath the van from the filler neck to the inlet side of the external electric fuel pump (Figure 10). Use the cable ties to secure the hose. Cut off any excess hose and attach to the barb fitting with hose clamp.

17. Attach the remaining hose to the outlet side of the external electric fuel pump with a hose

clamp.

18. Using the 5/16" hose and hose clamps connect the fuel pump box to the bulkhead adapter.



### CAUTION:

When routing this hose underneath the vehicle, make certain that you **DO NOT** place the hose in any location where damage may occur to the hose or vehicle. **AVOID** any contact with moving parts, areas of high temperature, muffler, catalytic converter, or sharp objects.

## 5. INSTALLING THE FUEL TANK AND FUEL LINE (TRAILER)

For trailer installations we recommend the following.

1. Strict compliance with all Federal and State laws must be maintained.

2. Use a safe fuel tank which is manufactured specifically for gasoline, has a proper vented filling cap, and an outlet connection that is the same size as the inlet connection on the unit.

3. **DO NOT** mount the fuel tank inside an enclosed trailer or van.



### WARNING!

Never carry any gasoline or flammable material in the vehicle. **NEVER** store any type of flammable material in the vehicle.

4. Mount the fuel tank where it will be protected from any vehicle collision.

5. When installing the fuel line from the tank to the unit, use the proper size fuel line.

## 6. WASTE TANK TO CONSOLE CONNECTION

**NOTE:** Before connecting any hoses to the waste tank, make certain the hose clamps are on each hose.

1. See Figure 11. Connect the 2" I.D. internal vac hose to the 2" diameter vacuum inlet tube on the console and the 2" diameter inlet tube on the waste tank. Tighten the hose clamps.
2. Connect the 25" long section of 2-7/8" I.D. internal vac hose to the 2-7/8" diameter vacuum outlet tube on the waste tank and to the vacuum pump relief valve on the console. It may be necessary to cut this hose to fit. Tighten the hose clamps.
3. Connect the 2" I.D. waste removal hose to the 2" diameter outlet tube at the bottom of the waste tank. Tighten the hose clamps.
4. Connect the 5/16" I.D. water box hose to the barb fitting (pointed downward) on the waste tank, which is mounted on the outside of the waste tank. Tighten the hose clamps.
5. Connect the console engine shut-off cord to the waste tank level sensor cord.

## 7. BATTERY CONNECTION



### WARNING!

**Dangerous Acid, Explosive Gases!**

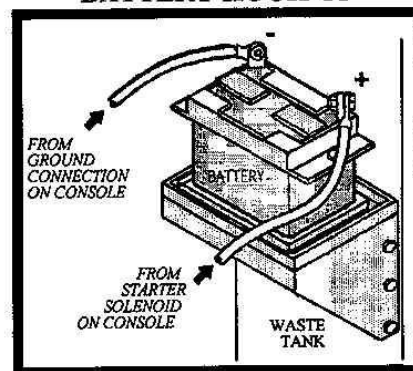
Batteries contain sulfuric acid. To prevent acid burns, avoid contact with skin, eyes, and clothing. Batteries produce explosive hydrogen gas while being charged. To prevent a fire or explosion, charge batteries only in well-ventilated areas. Keep sparks, open flames, and other sources of ignition

away from the battery at all times. Keep batteries out of the reach of children. Remove all jewelry when servicing batteries.

**Before disconnecting the negative (-) ground cable, make sure all switches are OFF. If ON, a spark will occur at the ground cable terminal which could cause an explosion if hydrogen gas or gasoline vapors are present. When disconnecting the battery, ALWAYS disconnect the negative (-) terminal FIRST.**

1. Attach the red positive (+) battery cable from the console starter solenoid to the positive (+) terminal on the battery and tighten the holding nut.
2. Next, attach the black negative (-) battery cable from the console ground to the negative (-) terminal on the battery and tighten the holding nut.

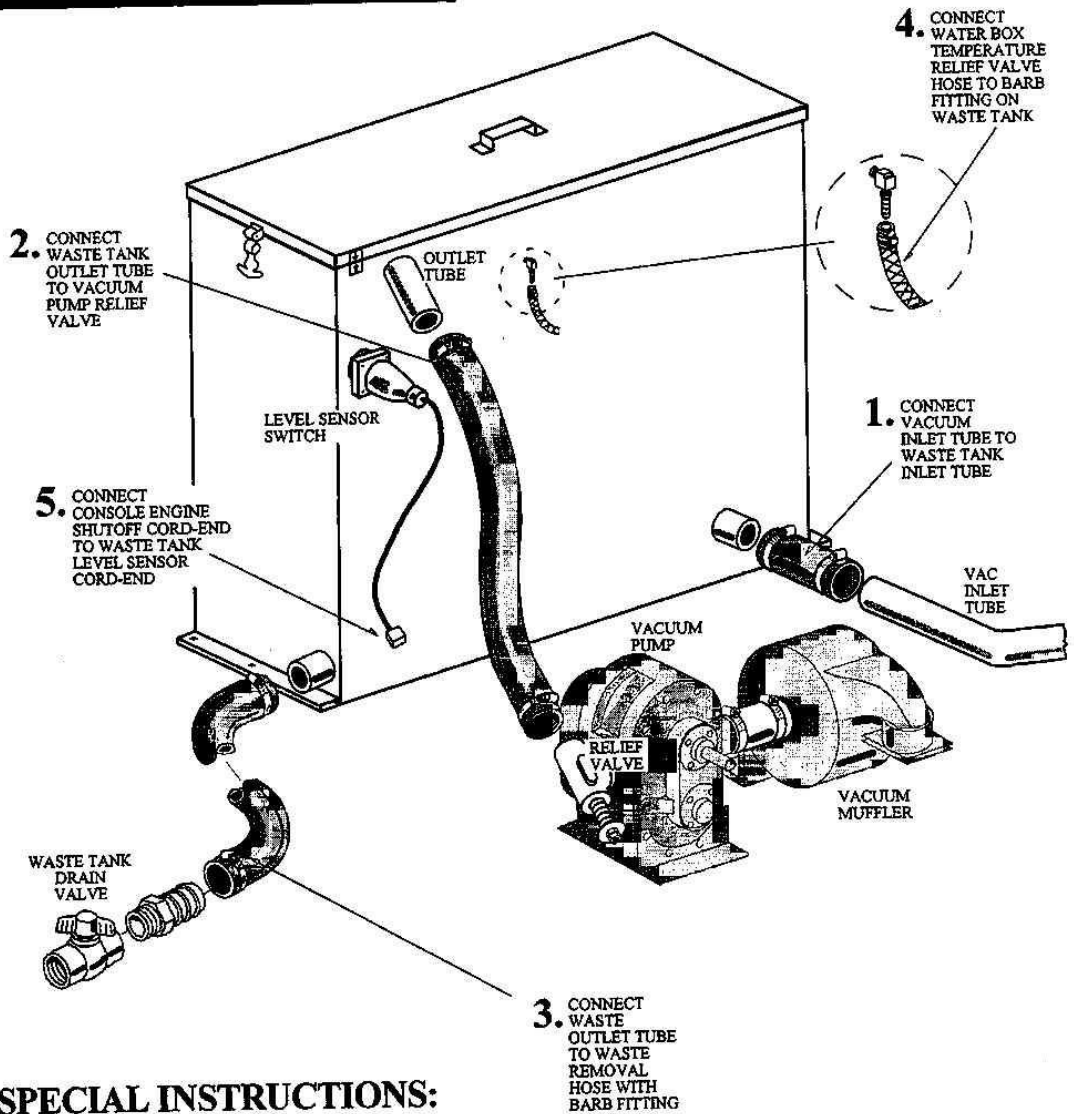
### BATTERY HOOK-UP



## 8. FIRE EXTINGUISHER

We recommend that a fire extinguisher, preferably rated for A, B, & C type fires, be installed inside the vehicle.

### Figure 11 WASTE TANK TO CONSOLE CONNECTION



#### SPECIAL INSTRUCTIONS:

1. Cut hoses to fit, if necessary.
2. When cutting hoses, make certain that the cutting blade is facing away from your hands, fingers, or any other part of your body to avoid injury.
3. Do not install hoses with excessive bends or kinks.
4. Place clamps on hoses before installing.
5. Tighten all hose clamps *firmly*.



## 9. AUXILIARY WATER TANK CONNECTION

Your cleaning unit may be equipped with an auxiliary water tank mounted underneath the console. If so, you will need to install the demand pump assembly. (See "Illustrated Parts Listings" for demand pump dimensions.)

The demand pump should be situated in a location where it is easily accessible. We have provided hoses which are long enough to reach their connections on the console and auxiliary water tank.

Figure 12 illustrates how the demand pump works with the auxiliary water tank and how it connects to the console.

1. Connect the  $\frac{3}{4}$ " I.D. water hose coming from the in-line strainer on the demand pump

to the barb fitting at the bottom rear, right side of the water tank. Trim the hose for the best fit. Tighten the hose clamps.

2. Connect the demand pump cord to the 2-pole connector on the console (located on the left side of the console near the vacuum pump.)



### CAUTION:

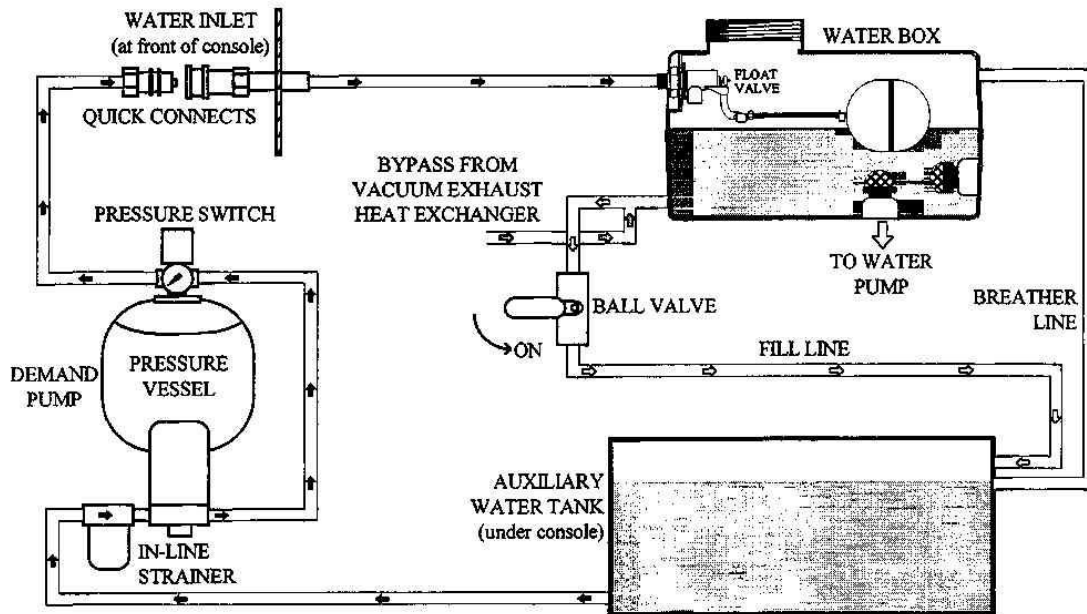
**When using the auxiliary water tank as your water source, be sure you have enough water in the tank to complete the job.**

3. Connect the hose from the demand pump to the water inlet at the front of the console.

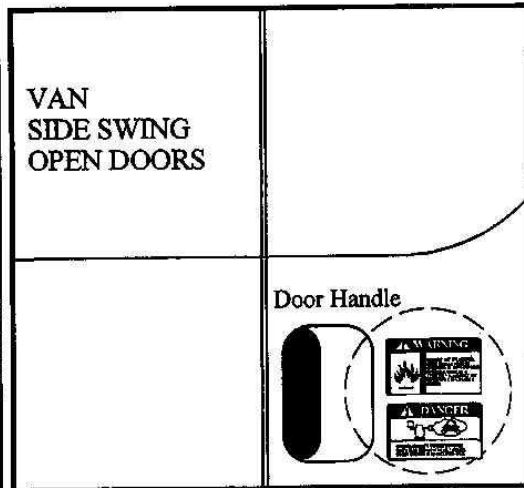
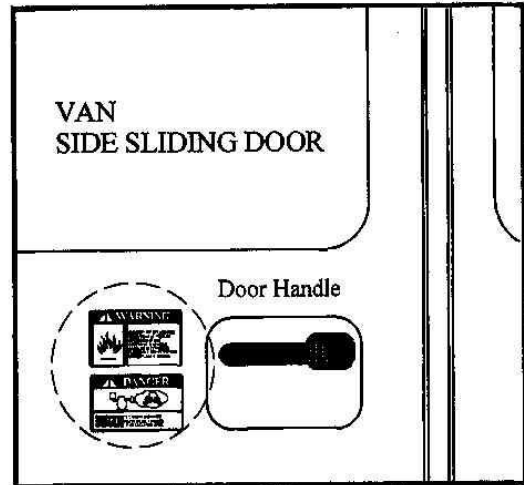
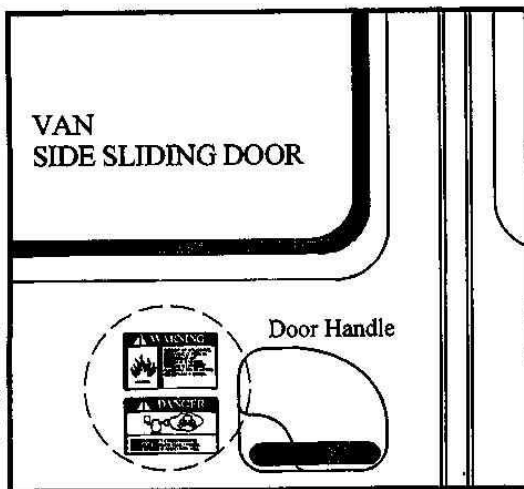
4. Turn the demand pump toggle switch "ON."

5. See page 32 in this manual for instructions on filling the auxiliary water tank.

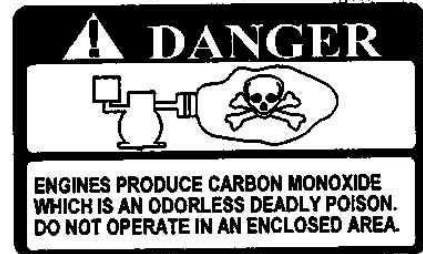
## Figure 12 AUXILIARY WATER TANK CONNECTION & OPERATION



**Figure 13 PLACEMENT OF EXTERNAL WARNING DECALS**



Decal, Fuel Clean-up  
Part# 48-941317



Decal, Carbon Monoxide  
Part# 48-941316

The decals should be placed in a prominent spot on the vehicle where access is given to operate the unit. The illustrations above suggest the location and placement of the decals.

When placing the decals, be sure the area is clean of any dirt and possible wax build-up. Place the decal by starting at one edge and smoothing the decal over to the other edge. This will help eliminate air bubbles and allow the decal to adhere better. After a time the decals may become damaged or worn. If they become unreadable, they should be replaced. The part numbers are shown above to help in ordering new decals.

## 4 SYSTEMS

This chapter of the operator's manual divides the unit up into systems and explains how each system works. Before proceeding into the operation and maintenance sections of this manual, we recommend acquiring a basic knowledge of how this unit functions. Read the next section of this manual carefully and completely.

### 1. WATER PUMPING SYSTEM

See Figures 14 and 15. Cold water enters the console through the water inlet connection located on the lower front panel. The water flows to the water box through a float valve, which shuts off water flow when the water box is full.

Water then flows from the water box, through a strainer, into the water pump where it is pressurized. This pressurized water is pumped to the pressure regulator manifold where the pressure regulator provides and maintains the desired pressure setting.

The pressure regulator manifold includes a nitrogen-charged accumulator which helps reduce pressure pulsations. In addition, the manifold also contains a low-pressure switch and a high-pressure switch. These switches will shut the unit down if the water pressure drops below 50 PSI or exceeds 1200 PSI.

If the tool valve is closed, water flows from the pressure regulator through the vacuum exhaust radiator-type heat exchanger, where heat is transferred from the vacuum pump exhaust to the water.

The heated water then returns to the water box. If the temperature in the water box exceeds

180°F, a temperature relief valve will open and bleed a small amount of hot water into the waste tank, allowing cool water to flow into the water box.

When the tool valve is open, water flow is from the pressure regulator through the engine exhaust heat exchanger, where it is super-heated by engine exhaust.

A bypass manifold, located next to the water box, constantly bleeds a small amount of hot water from the engine exhaust heat exchanger outlet to the water box.

Next, the hot water flows through the check valve manifold which contains a check valve and Y-strainer. This is where chemical injection occurs.

The hot solution then flows through the solution outlet connector to the cleaning tool.

Temperature is adjusted primarily using the thermostatic temperature control. This control opens a solenoid valve if the water exceeds the temperature setting. When open, this valve allows hot water to be drawn into the waste tank via the vacuum inlet tube. The temperature sensor for this control is located in the thermostat manifold en route to the solution outlet.

In addition, a heat bypass valve on the lower front panel lowers the solution temperature manually with a knob adjustment. When open, this valve allows hot water to be drawn into the waste tank via the vacuum inlet tube.

An additional temperature sensor on the engine exhaust heat exchanger outlet will shut down the engine if the water temperature exceeds 285°F. If this occurs, consult the "Troubleshooting" section of this manual to determine the cause of overheating before restarting your unit.

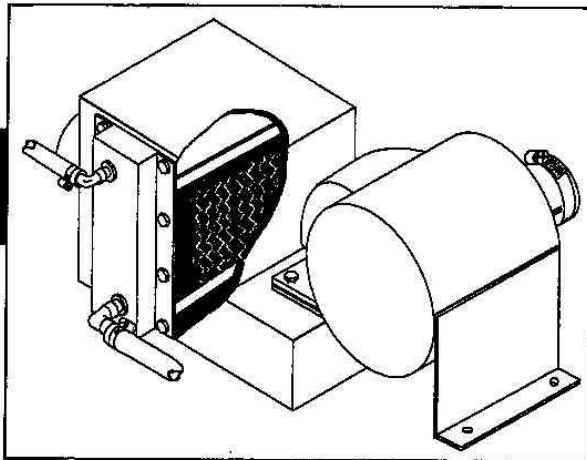
## 2. HEAT TRANSFER SYSTEM

See Figures 14 and 15. Water is heated through a two stage heat exchange system which utilizes vacuum pump exhaust and engine exhaust.

Stage one utilizes vacuum exhaust heat blowing over a radiator-type heat exchanger prior to discharging into the atmosphere. When the tool valve is closed, the water bypasses from the pressure regulator manifold to the water box through the vacuum exhaust heat exchanger. Water then flows from the water box to the water pump, where it is pressurized. It then travels to the pressure regulator manifold.

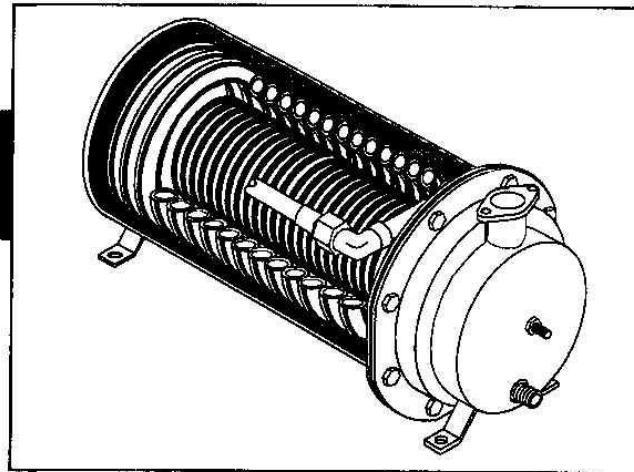
When the operator opens the tool valve, the water flows through the stage two engine exhaust heat exchanger where the water is heated by extremely hot engine exhaust.

The engine exhaust heat exchanger is an engine exhaust chamber containing a stainless steel heating coil and catalytic converter. Water flows through the coil and is heated by the engine exhaust as it leaves the engine. The catalytic converter, combined with the injection of air pumped into the exhaust manifold, re-burns the exhaust waste gases. This results in super-heated water flowing through the solution outlet to the cleaning tool.

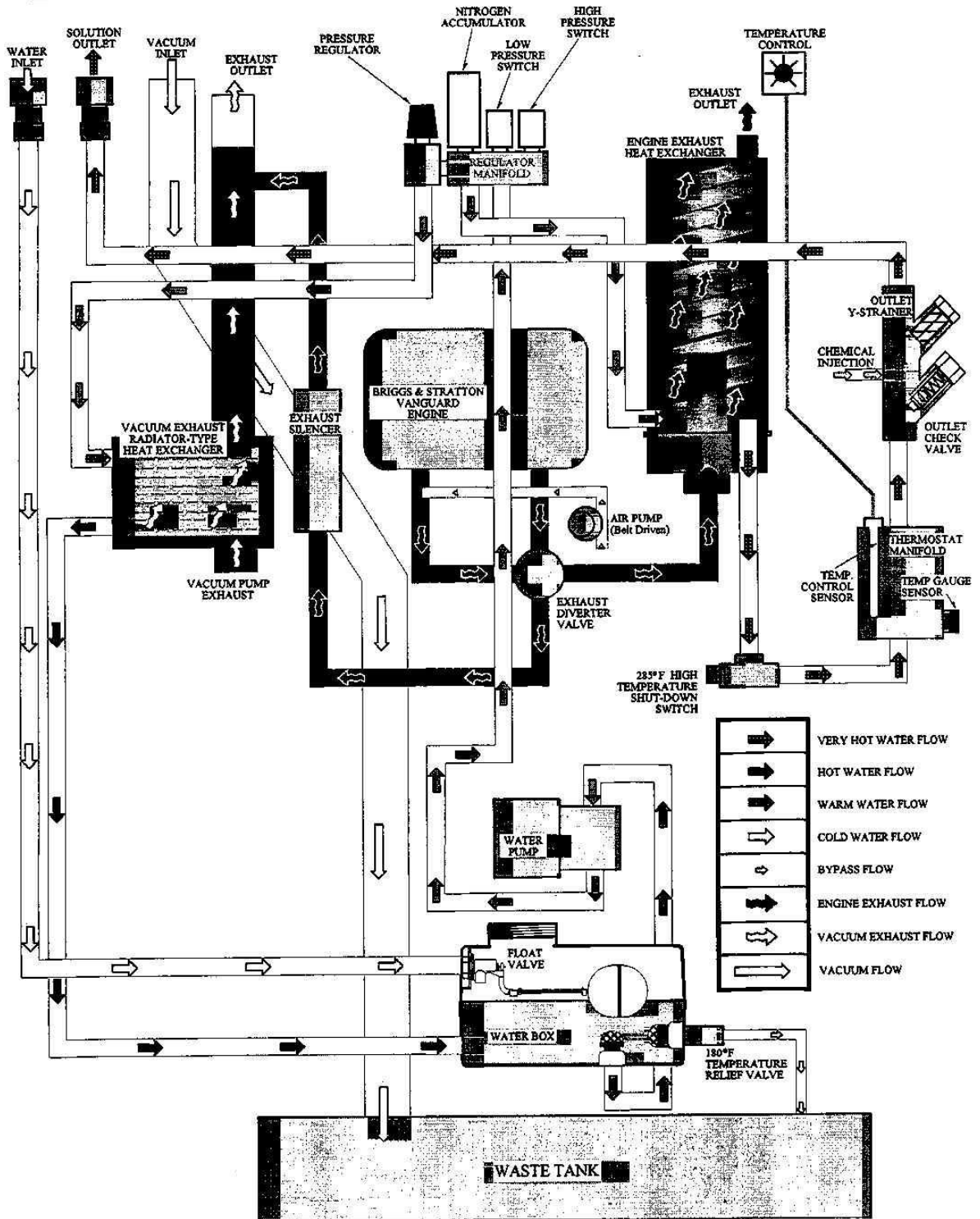


**VACUUM EXHAUST  
HEAT EXCHANGER**

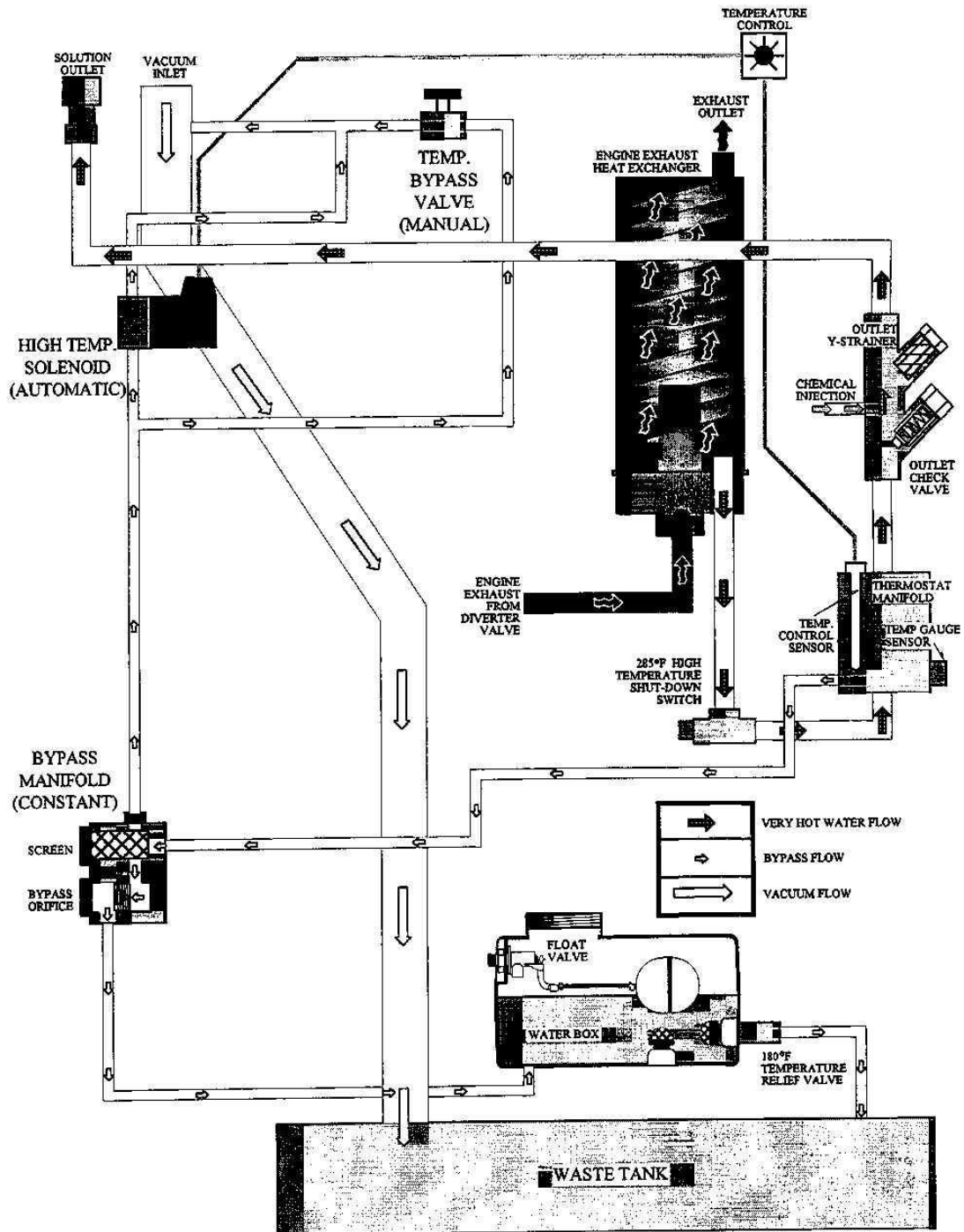
**CATALYTIC  
ENGINE EXHAUST  
HEAT EXCHANGER**



**Figure 14 HEAT TRANSFER & WATER PUMPING SYSTEM**



**Figure 15 MANUAL & AUTOMATIC HOT WATER BYPASS SYSTEMS**



An exhaust diverter valve is located on the engine exhaust system. This allows you to direct the engine exhaust either to the heat exchanger for high temperature cleaning or to the exhaust muffler for low temperature cleaning or extraction, such as for flood restoration.

When the diverter valve is in the MUFFLER position, a microswitch automatically shuts off the water pump. An override switch on the control panel will enable you to turn the water pump ON for low temperature cleaning.

vacuum pump, with air and water being drawn into the vacuum inlet at the front of the console.

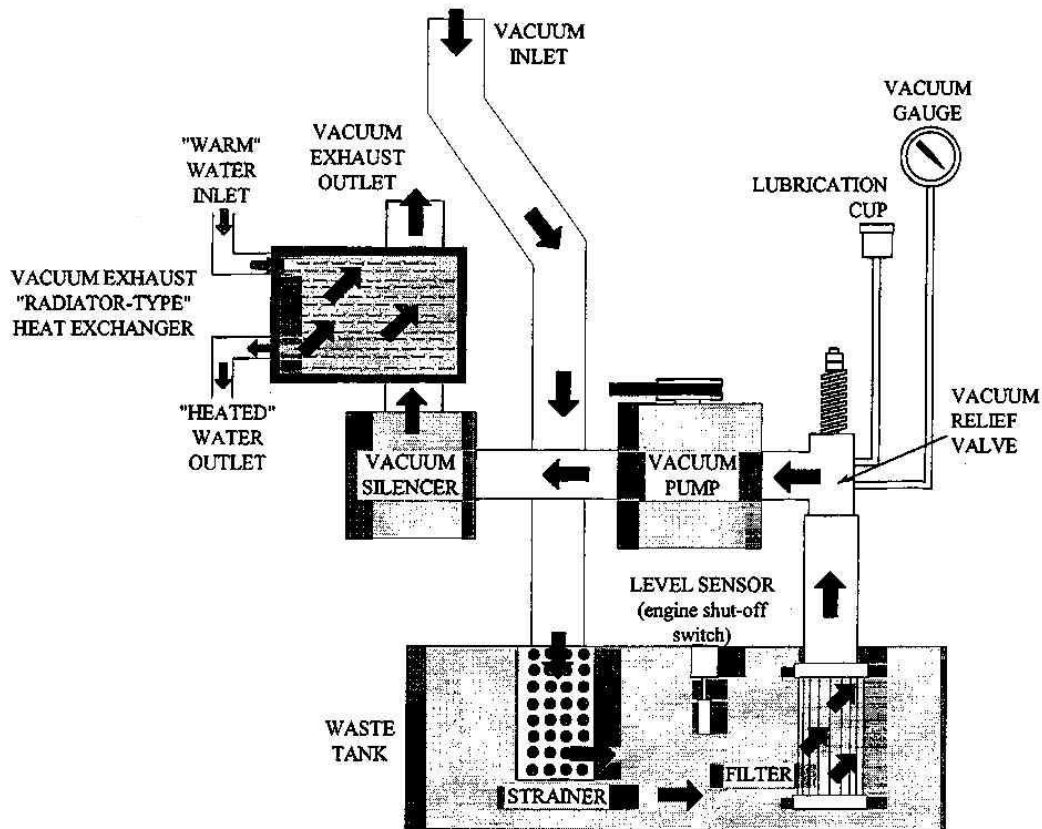
The mixture then flows through a strainer basket into the waste tank. Air exits the waste tank through a 100-mesh filter, and then flows into the vacuum pump. A vacuum pump relief valve has been provided for vacuum pump protection.

The air is discharged from the vacuum pump through the stage one heat exchanger where the heated vacuum exhaust blows across a radiator-type heat exchanger before discharging into the atmosphere.

### 3. VACUUM SYSTEM

See Figure 16. Vacuum flow is initiated by the

**Figure 16 VACUUM SYSTEM**



A level sensor switch located near the top of the waste tank will shut the unit down before the waste tank reaches its full capacity. This protects the vacuum pump from water damage.

**CAUTION:**

**Use of a DEFOAMER will help prevent damage to the unit by a build-up of foam in the waste tank, which may be caused by some chemicals (foam build-up will not activate float switches).**

**4. CHEMICAL PUMPING SYSTEM**

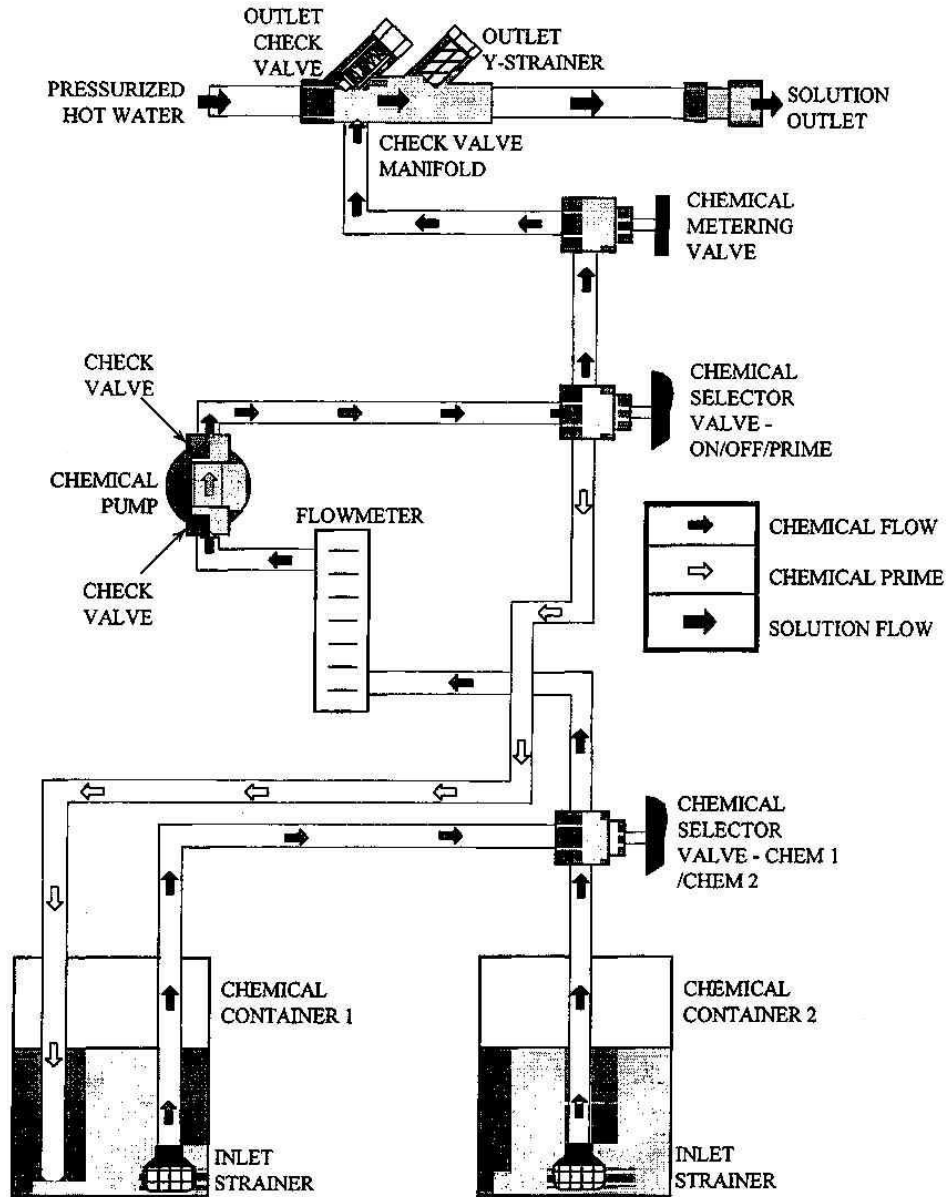
See Figure 17. The chemical is drawn from one of the chemical containers through a strainer, through a chemical selector valve, and then into the flow meter. The flow meter indicates the rate of chemical flow.

The chemical then flows through a check valve into a pulse-powered chemical pump. Next, the chemical pump injects the chemical through a check valve to the 3-way selector valve on the control panel. This valve may turn the chemical flow ON, OFF, or PRIME the chemical pump.

The chemical then flows through a metering valve to the solution outlet. This valve controls the rate of flow of chemical injection into the cleaning solution, which is indicated on the flow meter.



**Figure 17 CHEMICAL SYSTEM**



## 5 OPERATION

This chapter of the operator's manual explains how to prepare, start, operate, shut down, and maintain the SABER 2000 cleaning unit. Operation of the SABER 2000 is simple. However, only trained personnel should proceed.



### WARNING!

Operate this unit and equipment only in a well-ventilated area. Exhaust fumes contain carbon monoxide which is an odorless and deadly poison that can cause severe injury or fatality. DO NOT operate this unit where the exhaust may enter any building doorway, window, vent, or opening of any type.

#### 1. CHECK FOR ADEQUATE FUEL

Check the fuel tank to be certain there is adequate fuel to complete the job. This unit uses approximately .95 to 1.25 gallons of fuel per hour, depending on the speed setting.

#### 2. REMOVE TOOLS FROM VEHICLE

Remove any tools or hoses from the van which you will require.

#### 3. WATER SUPPLY CONNECTION

**NOTE:** Before connecting your water hose to the supply faucet, flush out the faucet until the water is free of any debris. Flush out any debris which may be in your water inlet hose.

1. Connect the **water supply hose** to the **water inlet** quick-connect at the front of the unit. Connect the hose to the water supply faucet.

**NOTE:** Never use your waste pump outlet hose as a water inlet hose. Use only clean hoses for water inlet.

2. Turn the **water supply faucet** on. The water will fill the **water box**.

#### 4. FILLING AUXILIARY WATER TANK

1. Your cleaning unit may be equipped with an auxiliary water tank mounted underneath the console. To fill the auxiliary water tank, open the **ball valve** on the water box by turning the handle on the valve to the vertical position.

2. Connect the **water supply hose** to the **water inlet** quick-connect at the front of the unit. Connect the hose to the water supply faucet.

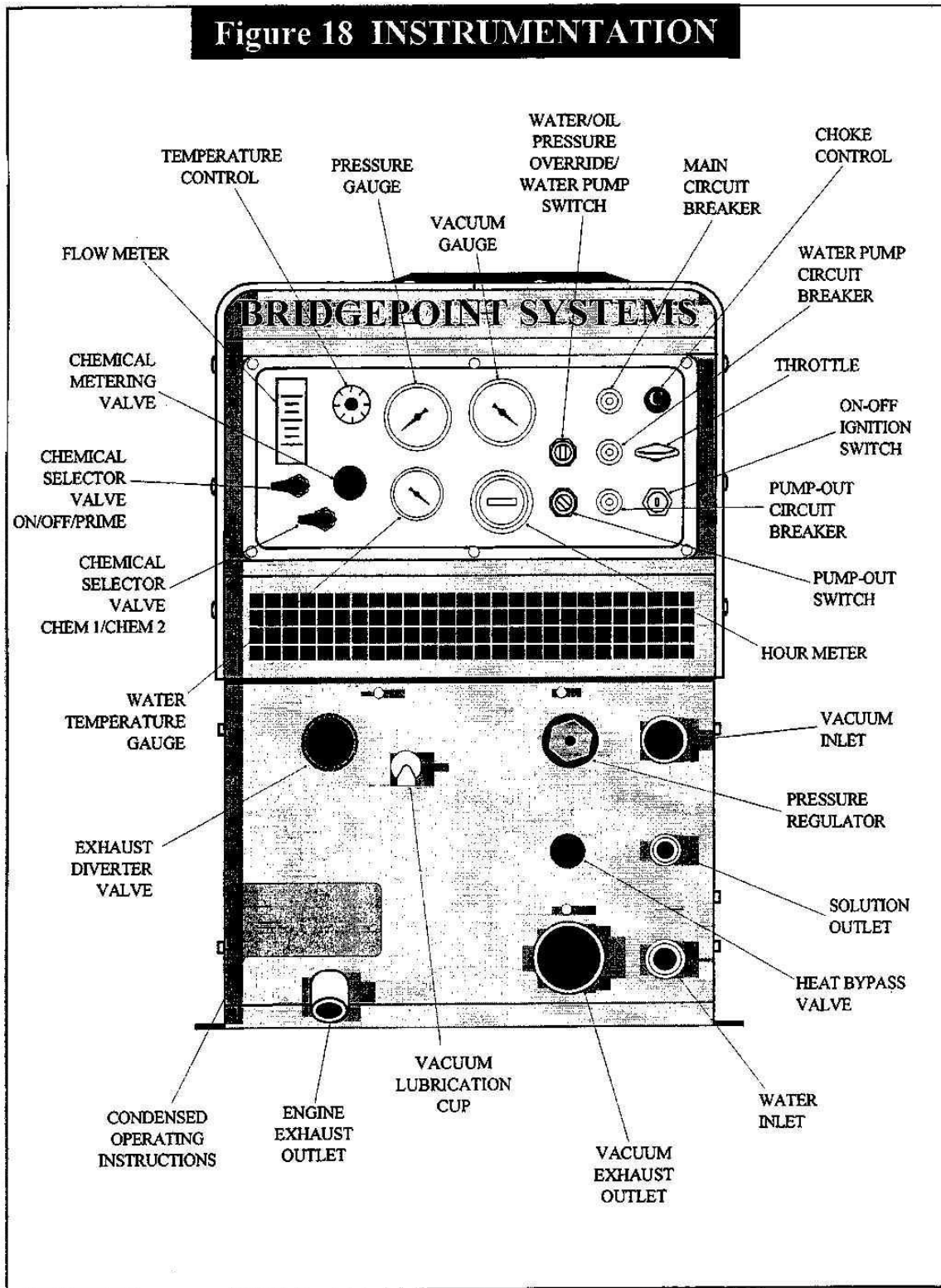
3. Turn the **water supply faucet** on. The water will flow through the water box and fill the water tank.

4. When the auxiliary water tank is full, close the **ball valve** on the water box by turning the handle on the valve to the horizontal position. Disconnect the **water supply hose** from the unit and plug the hose from the **demand pump** into the quick-connect at the front of the unit.

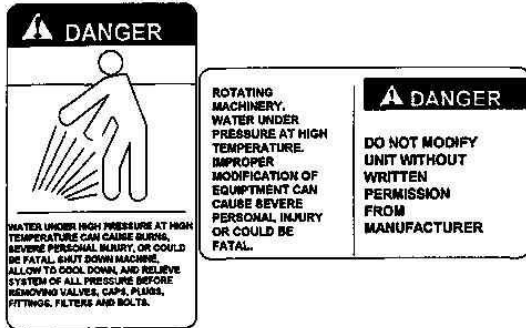
5. Turn on the toggle switch at the front of the **demand pump**. **NOTE:** Make sure you turn on the demand pump before you start the unit.

#### 5. HIGH PRESSURE HOSE

Before starting the unit, connect the **pressure hose** to the **outlet connection** at the front of the unit. Connect the **cleaning tool** to the **pressure hose**.



*Bridgepoint Systems Saber 2000 Operation & Service Manual*



## 6. VACUUM HOSE

Connect the **vacuum hose** to the **vacuum inlet** connection at the front of the unit. Connect the other end of the **vacuum hose** to the **cleaning tool**.

## 7. JET SIZING

BRIDGEPOINT SYSTEMS recommends **floor tool tip** sizing not exceed a total of "06". Using larger jet sizes on your SABER 2000 may reduce cleaning temperatures.

**Example: Quad-jet wand uses four 95015 jets. (95° spray angle w/ 015 orifice)**

$$015 \times 4 = 06$$

**Upholstery tool jet size: 80015**

**Stair tool jet size: 9502**

## 8. STARTING THE UNIT

1. Set the exhaust diverter valve to the **HEAT EXCHANGER** position. The diverter valve microswitch will automatically turn ON the water pump.

2. Set the **temperature control** on the control panel to the desired cleaning temperature. The thermostatic temperature control will allow you

to increase or decrease the solution temperature automatically. Simply turn the **control knob** to the desired temperature setting.

3. Close the **heat bypass valve** by turning the knob clockwise. **DO NOT** over-tighten.

The **heat bypass valve** allows you to decrease the solution temperature manually. Opening the valve (counter-clockwise) decreases the temperature by allowing hot water to bypass to the waste tank.



### CAUTION:

**DO NOT** operate this unit without constant water flowing into the console.

The water **low-pressure switch** will automatically shut the unit down if the water pressure in the system drops below 50 PSI.

The water **high-pressure switch** will automatically shut the unit down if the water pressure in the system exceeds 1200 PSI.

Before proceeding, be certain that the control panel indicators are at the following settings:

**Engine – IDLE** (Throttle Control IN)

**Engine Choke – PULL OUT**

**NOTE:** It will not be necessary to pull the choke out if the engine is already warmed up.

4. Turn the **ignition switch** to the **START** position while holding the **water pump switch** to the left (override position). The engine will start. Continue to hold the **water pump switch** in the override position until pressure is indicated on the pressure gauge.

**NOTE:** If your unit fails to build water pressure after 15 seconds, check for adequate water supply. If necessary, see "Loss of Water

Pump Pressure” in the “Troubleshooting” section of this manual.

5. After starting the engine, push the **choke** in. After the engine has warmed up, pull the **throttle control** all the way out and turn it counter-clockwise to lock it in the full throttle position.

Allow adequate time for the unit to warm up before beginning the cleaning operation, approximately 5-15 minutes.

### 9. PRIMING THE CHEMICAL PUMP

**NOTE:** BRIDGEPOINT SYSTEMS recommends that the chemical pump be primed whenever the water pump is ON. This eliminates possible pressure fluctuations and water pump pulsations related to a dry chemical pump.

1. Place the two **chemical inlet tubes** into the chemical containers.

**NOTE:** When placing the **chemical inlet tubes** into the **chemical containers**, make certain that they stay fully submerged since the chemical pump will not function if air is allowed to enter the inlet line. **DO NOT** operate the chemical pump without the inlet strainers properly installed.

2. Select the chemical you will be using (chemical 1 or chemical 2) with the bottom **chemical selector valve** on the control panel. Place the **chemical prime tube** into the chemical container you will be using.

3. Turn the top **chemical selector valve** on the control panel to the PRIME position. The chemical will then flow from the chemical container through the chemical prime tube.

If the chemical does not flow, then:

a) Put the **chemical prime tube** into the **vacuum inlet** on the unit and seal off the vacuum inlet. The vacuum will quickly pull chemical from the chemical container. When the chemical starts to flow, turn the top **chemical selector valve** to OFF, place the **chemical prime tube** back into the chemical container, and turn the top **chemical selector valve** back to PRIME to continue the procedure.

b) Once continuous chemical flow without air bubbles has been achieved, turn the top **chemical selector valve** from PRIME to METER. With the **cleaning tool** open, observe the **flow meter** and adjust the **chemical metering valve** until the desired rate of chemical flow is obtained (the **chemical metering valve** is located on the control panel below the temperature control.)

### 10. WASTE PUMP

1. If your unit is equipped with an **automatic waste pump**, connect one end of a garden hose to the **pump-out connection** on the console and the other end to an **appropriate waste disposal**.

2. Turn the **pump-out switch** on the control panel to the ON position. The waste pump will operate automatically throughout the cleaning operation.

We recommend that you use a 3/4" I.D. water hose as a waste pump outlet hose. **DO NOT** use a hose smaller than 5/8" I.D.

**NEVER** use your automatic waste pump outlet hose as a water inlet hose.



### WARNING!

**NEVER** dispose of waste in storm drains, water ways, or on ground areas. Always

dispose of waste in accordance with Local, State, and Federal laws.

## 11. OPERATION

Once you have completed steps 1 through 10, proceed with the cleaning operation. Your unit should be in the full throttle position when cleaning or extracting. A **float switch** located inside the waste tank will automatically shut down the unit when it reaches its full capacity. When this occurs, empty the waste tank before continuing.

### EXHAUST DIVERTER VALVE

The **exhaust diverter valve** allows you to direct exhaust through either:

- a) the **engine exhaust HEAT EXCHANGER** for high temperature cleaning, or
- b) through the **exhaust MUFFLER** for extraction, such as flood restoration.

When the **exhaust diverter valve** is in the **MUFFLER** position, a microswitch automatically shuts off the water pump. This protects the water pump from excessive heat during flood restoration work.

An **override switch** on the control panel will enable you to turn the water pump ON when in the **MUFFLER** position. Make certain that this switch is in the OFF position during flood restoration.

## 12. CLEANING

Observe the following guidelines, while cleaning:

1. Before proceeding make sure the nozzles are functioning properly.

a) To check, hold the wand about one foot above the surface to be cleaned and open the wand valve. A full spray should be observed from the cleaning nozzles.

b) If the nozzles are not showing a full spray pattern, adjust nozzles for proper pattern, clean, or replace nozzles, if required.

2. Normally, chemical is applied on the push stroke of the wand when cleaning, and vacuuming is done on the pull stroke. For heavily soiled carpets the wand may be used in a scrubbing manner, applying chemical in both push and pull strokes. Always finish up an area with a vacuum pull stroke.

3. When cleaning, keep the working opening (mouth) flat on the surface being cleaned. Keep the wand moving when the valve is open.

4. The unit will automatically shut-down when the waste tank is full. This will prevent water being drawn into the vacuum pump. If shut-down occurs, empty the waste tank before proceeding.



### WARNING!

**NEVER** dispose of waste in storm drains, waterways, or onto the ground. Always dispose of waste in accordance with Local, State, and Federal laws.

## 13. UPHOLSTERY CLEANING

Upholstery Tool, Part #60-950517

1. Since the upholstery tool has a lower flow rate and smaller orifice, operate the unit with the **diverter valve** in the **MUFFLER** position and the **water pump switch ON**. This will prevent excessive heat in the water pumping system and limit bypass flow into the waste tank while cleaning upholstery.

2. To further reduce heat, slightly open the **heat bypass valve** located on the lower front panel. **NOTE:** If the unit is so equipped, turn the automatic **waste pump-out switch** ON. This will compensate for the extra bypass flow to the waste tank.

3. Use one "80015" spray tip in the tool.

4. Pressure adjustment below 300 PSI should be made at the tool itself, by using the adjusting knob located on the valve.

#### 14. STAIR TOOL CLEANING

Stair Tool, Long, Part #60-950518

Stair Tool, Short, Part #60-950519

1. Turn the **diverter valve** to the **HEAT EXCHANGER** position. Set the **temperature control** to the desired temperature setting.

2. To further reduce heat, slightly open the **heat bypass valve** located on the lower front panel. **NOTE:** If the unit is so equipped, turn the automatic **waste pump-out switch** ON. This will compensate for the extra bypass flow into the waste tank.

3. Use one "9502" spray tip in your stair tool.

#### 15. FLOOD RESTORATION



#### CAUTION:

Set the **temperature control** on the control panel to **150°F** and open the **heat bypass valve** by turning the knob counter-clockwise. This will prevent excessive heat in the water pumping system.

During flood restoration, turn the **diverter valve** to the **MUFFLER** position and extract. The **water pumping system** is now **OFF**.

*Bridgepoint Systems Saber 2000 Operation & Service Manual*

**Make certain that the water pump override switch is OFF to prevent all water being exhausted out of the water box and running the pump dry.**

#### 16. SHUTDOWN AND DAILY MAINTENANCE

1. Run fresh water through the **chemical injection system** to flush out chemicals.

2. We recommend removing as much moisture from your **vacuum hoses** as is reasonable. This will prevent spillage of solution in your vehicle when replacing hoses.

3. Position the **throttle control** to the idle position (all the way in).

4. Disconnect the **vacuum hoses** from the unit.

5. Open the **heat bypass valve** two (2) turns and allow the unit to cool down to **180°F** or less, and then close the **heat bypass valve** completely. **DO NOT** over-tighten the valve.

6. Allow the unit to run for **1 minute** in order to remove all moisture from the **vacuum pump**.

**NOTE:** If finishing for the day: Pull the throttle all the way out, plug the **vacuum inlet** and spray **WD-40** (or equivalent) into the **vacuum lubrication cup** (located at front of console) for **5 seconds**. This will lubricate the **vacuum pump**. Push the **throttle** back in to idle and continue to step #7.

7. Turn the **ignition switch** to the **OFF** position.

8. Turn the **water supply faucet** off. Bleed the pressure out of the **water supply hose** by loosening the hose at the water supply. Unhook the **water supply hose** and store in vehicle.

9. Relieve pressure from the **cleaning tool and pressure hose** by activating the valve on the tool. Disconnect the **tool and pressure hoses** from the unit and store all items.

10. Drain the **waste tank** and dispose of waste in a proper manner.



### WARNING!

**NEVER** dispose of waste in storm drains, water ways, or on ground areas. Always dispose of waste in accordance with Local, State, and Federal laws.

11. Remove the **strainer basket** from the waste tank, clean out any accumulated debris, and re-install. Inspect the **vacuum inlet filter** inside the **waste tank**. If there is any lint or debris, remove and clean filter.

**NOTE:** When removing the **vacuum inlet filter**, grip the plastic hexagonal section of filter. Grasping filter by the screen may collapse or ruin the filter. Re-install the filter hand-tight. **NEVER** operate this unit with the filter removed, damaged or improperly installed.

**NOTE:** When replacing the filter, we recommend using the stainless steel filters (Part #14-806509) only.

12. At the end of your work day, rinse out the waste tank with fresh water. Deodorizer may be added to the waste tank to inhibit the growth of bacteria.

13. Clean the unit, tools, hoses, van interior, etc., as needed. Inspect ALL equipment for any damage, wear, leaks, etc.

## 17. FREEZING PROTECTION



### CAUTION:

If the unit is exposed to freezing weather the water in the unit may freeze, causing **SERIOUS DAMAGE** to the unit. To avoid this, the following is recommended during the cold weather season:

When the unit is not in use, always park it in a heated building.

While in operation, avoid long shutdowns as the unit provides heat while running. Shut it down just prior to leaving for the next job.

If a heated building is not available, we recommend that you winterize the unit with anti-freeze. At present, it is only possible to winterize units which do **not** have an auxiliary water tank. Units with auxiliary water tanks must be stored in a heated building when not in use.

## ADDING ANTI-FREEZE TO YOUR UNIT:

1. Shut off the water supply. Disconnect the **water inlet hose** from the front of your console.

2. Connect all **high pressure hoses and tools** that may have water in them.

3. Start the unit with the **exhaust diverter valve** in the **HEAT EXCHANGER** position, and open the tool valve until the low-pressure switch shuts the unit down.

4. Fill the water box with approximately two gallons of 100% glycol base anti-freeze.



5. Turn the **diverter valve** to the **MUFFLER** position. Close the **heat bypass valve** by turning the knob all the way clockwise.

6. Turn the **water pressure override switch** to the **override** position and start the unit. Turn the **water pump switch ON**.

7. Open the tool valve until anti-freeze begins to come out of the tool. Recover **ALL** anti-freeze that comes out of the tool into an approved container. We strongly recommend that you re-cycle and re-use the anti-freeze.

Repeat this procedure with all the remaining tools. After all tools and pressure hoses have been filled with anti-freeze, disconnect and store them.

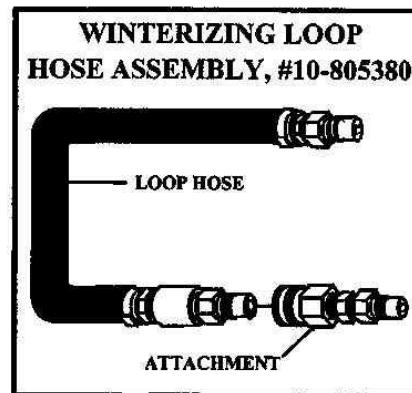
8. Turn the **water pump switch OFF**. Attach the **winterizing loop hose** with attachment, Part #10-805380, to the solution outlet connection and the water inlet connection. Turn the **water pump switch ON**.

Allow the unit to run for approximately 3 minutes with the winterizing loop hose attached.

9. Prime the **chemical system** with a 50/50 anti-freeze/water mix. Insert the chemical inlet and prime tubes into the anti-freeze container. Turn the **chemical valve** to **PRIME** until anti-freeze begins to flow out of the prime hose.

Now turn the **chemical valve** to the **ON (CHEMICAL)** position, making certain that the flow meter indicates flow. Make certain that all anti-freeze drains out of the chemical hose into an approved container.

After 20 seconds, turn the **chemical valve** to the **OFF** position.



10. Open the **heat bypass valve** by turning the knob counter-clockwise. After 10 seconds, close the **heat bypass valve**.

Turn the **temperature control** on the control panel to 50°F for 10 seconds.

11. After completing these procedures, shut the unit down. The unit is now "winterized".

#### REMOVING ANTI-FREEZE FROM THE UNIT:

1. Connect one end of the **winterizing loop hose** to the solution outlet connection. Place the other end of the loop hose, without the attachment, into an approved container.

2. Start the unit. Allow the anti-freeze to flow into the container until the low-pressure switch shuts the unit down.

3. Fill the water box with fresh water and repeat step #2.

4. Connect the **water inlet hose** to the water inlet connection on the console. Turn the water supply on.

5. Connect all **high pressure hoses** and **any tools** which require purging of anti-freeze to the solution outlet connection.

6. Open the tool valves and drain the anti-freeze into an approved container until the flow is clear and all anti-freeze is purged from the tools and hoses.

7. Place the chemical prime hose into the approved container. Submerge the chemical inlet hose in water. Turn the **chemical valve** to the PRIME position until clear water comes through the prime hose, and then remove the prime hose from the container.

Turn the **chemical valve** to the ON (CHEMICAL) position. This will allow water to flow into the other side of the system.

Once all of the anti-freeze is removed, the unit is ready to use.

Eventually, the anti-freeze in your storage container will become diluted with water. If the anti-freeze level drops below 50% of the total, dispose of it and start with fresh 100% anti-freeze.



### **WARNING!**

**When disposing of used anti-freeze, observe local laws and regulations. Where permitted, we recommend disposal in sanitary sewer systems. Do not drain onto the ground or into storm drainage systems.**

## MAINTENANCE CHART

daily maintenance	Engine	daily	Check engine oil level.*** Fill to proper level.
	Vacuum Pump	daily	Spray WD-40 in lubrication cup at front of console for 5 sec.
	Water Pump	daily	Check oil level.** Fill to proper level.
	Vacuum Inlet Filter ( in waste tank)	daily*	Clean filter, inspect, replace if damaged.
	Vacuum Hoses	daily	Wash out with clean water.
	(Optional) Automatic Waste Pump	daily*	Inspect and remove any debris or sediment.

Vacuum Pump	weekly*	Check oil level. Fill to proper level.
Engine	weekly	Examine air intake and cooling areas. Clean, if required.
Engine	weekly	Check air cleaner for dirty, damaged, or loose parts.
Water Pump Inlet Filter ( in water box)	weekly*	Check for debris and clean.
Battery	weekly*	Check for proper fluid level. Fill with distilled water only.
Bypass Manifold Orifice & Strainer	weekly*	Inspect and remove any debris or blockage.
Solution Outlet Y-Strainer	monthly*	Inspect and remove any debris or blockage.
High Pressure Hoses	25*	Inspect for damage or impending damage.
Engine	25	Service pre-cleaner element.
Pressure Regulator	50	Lubricate stem and o-ring.
Engine	50	Change engine oil.***
Engine	100	Service air cleaner element.
Battery	100*	Clean battery terminals.
Engine	100	Clean cooling system.
Engine	100	Check condition & re-set gap on spark plugs.
Engine	100	Change oil filter.***
Heat Bypass and Chemical Valves	200*	Inspect and/or adjust packing nuts.
Temperature Solenoid	200*	Remove any hard water deposits.
Vacuum Exhaust Heat Exchanger	200	Inspect core and remove debris.
Water Pump	500	Change oil.**
Vacuum Pump	500	Lubricate bearing on pulley end with grease.
Pulley Set Screws & Hub Cap Screws	500	Check for proper torque values. Re-torque, if required.****
Drive Pulleys	500	Inspect, clean, and check for pulley groove wear.****
Drive Pulleys	500	Check pulley alignment.****
Engine	1000	Replace spark plugs.
Drive Belts	500	Inspect and clean.****
Drive Belts	500	Check belt tension.****
Chemical Pump & Check Valves	1000	Replace diaphragm and check valves.
Check Valve (Solution Outlet)	1000	Inspect, clean, and repair, if needed.
Vacuum Pump	yearly	Drain, flush, and replace oil.*****
Vacuum Inlet Filter (in waste tank)	yearly*	Replace.
Nitrogen Accumulator	yearly*	Check and have re-charged with nitrogen, if required.

\* Or as often as required.

\*\* Change water pump crankcase oil after the first 50 hours of operation.

\*\*\* Change engine crankcase oil and filter after the first 5 hours of operation.

\*\*\*\* Perform drive belt, pulley, & hub maintenance after the first 25 hours of operation, and then again at 100 hours.

\*\*\*\*\* If using AEON PD synthetic lubricant, 4500 hours or every 2 years, whichever comes first.

# 6 MAINTENANCE

This chapter of the operator's manual contains the maintenance information for this unit. Initiation of a planned preventative maintenance program will assure that your SABER 2000 has optimum performance, a long operating life, and a minimal amount of "down" time.



**WARNING!**  
**DO NOT** service this unit while it is running. The high-speed mechanical parts as well as high temperature components may result in severe injury, severed limbs, or fatality.

**NOTE:** Use the hour meter as a guide for coordinating the maintenance schedule.

## 1. ENGINE

Major engine repairs should **NOT** be attempted without a thorough knowledge of all components of the engine. Therefore, we strongly recommend having service or repairs performed by an authorized engine dealer.

General maintenance, filter changes, oil change, etc., should be performed as recommended by the **Briggs & Stratton Vanguard Service and Repair Instructions**. Use the engine manual as a detailed guide for **ALL** matters concerning the engine. The following is a condensed version of maintenance procedures:

1. Check the engine oil level **daily**, when in use. Use high quality detergent oil of at least API (American Petroleum Institute) service class SF or SG. Select the viscosity based on the air temperature at the time of operation as shown in the following table. **NOTE:** Using less than service class SF or SG oil or extending oil change intervals longer than recommended can cause engine damage.

RECOMMENDED SAE VISCOSITY GRADE

		30**	
		5W-30, 10W-30*	
Synthetic 5W-20, 5W-30			
*F	-20	0	20
*C	-30	-20	-10
		0	10
		20	30
		40	40
TEMPERATURE RANGE EXPECTED BEFORE NEXT OIL CHANGE			

\*Air cooled engines run hotter than automotive engines. The use of multi-viscosity oil such as 10W-30, etc., in ambient temperatures above 40°F (4°C) will result in higher than normal oil consumption. If multi-viscosity oil is used, check the oil level more frequently to prevent any possible engine damage due to lack of lubrication.

\*\*Use of SAE 30 oil below 40°F (4°C) will result in hard starting and possible engine damage due to inadequate lubrication.

2. It is important that the engine break-in oil is changed after the **first five (5) hours** of operation. Afterwards, change the engine oil **every 50 hours**.

3. Examine air intake and cooling areas **weekly**. Clean if required.
4. Check the air cleaner **weekly** for dirty, damaged, or loose parts.
5. Service the precleaner element **every 25 hours**.
6. Service the air cleaner element **every 100 hours**.
7. Check condition of the spark plugs and gap **every 100 hours**.
8. Remove the cooling shrouds and clean the cooling areas **every 100 hours**.
9. Change the oil filter **every 100 hours**.

**NOTE:** Perform these maintenance operations more frequently under extremely dirty or dusty conditions.

## 2. VACUUM PUMP

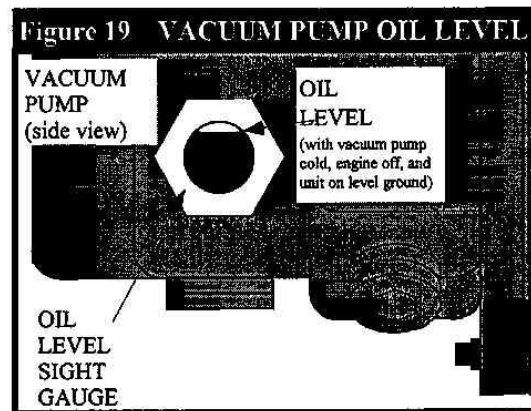
Refer to the Vacuum Pump Operation and Service Manual for specific instructions.

**Lubrication:** We recommend that you use AEON PD Synthetic Blower Lubricant in the gear end of the vacuum pump for all operating temperatures. AEON PD is formulated especially for positive displacement blower service to provide maximum blower protection at any temperature. One filling of AEON PD will last a minimum of 2 times longer than a premium mineral oil.

**NOTE:** AEON PD (Part# 05-008039) is the oil which is put in the vacuum pump at the factory. Topping off or adding petroleum oil to synthetic oil is **NOT** recommended.

If not using AEON PD synthetic blower lubricant, use oils with rust and oxidation inhibitors, anti-foam additives and the viscosities listed on the chart on the next page.

1. Check the oil level **weekly** to assure the proper level. **PROPER LEVEL** cannot be overemphasized. Too little oil will ruin bearings and gears. Too much oil will cause overheating. Use Figure 19 as a guide when adding oil.



2. To prevent rust from building up inside the vacuum pump (if moisture exists) we have provided a lubrication cup on the front of the unit.

First run the unit at least **1 minute** to remove any moisture from the vacuum pump. Next, fill the lubrication cup with WD-40, or a similar lubricant, for **5 seconds** while the unit is running and the vacuum inlet is sealed. Do this at the end of **each working day**.

3. Drain, flush and replace oil **every 1500 hours or yearly, whichever comes first**. Change oil more frequently if inspection so indicates. With AEON PD synthetic lubricant, perform the oil change maintenance **every 4500 hours or every 2 years, whichever comes first**.

**VACUUM PUMP LUBRICANT**

Blower Discharge Temperature	Oil Grade U.S.A.*	Oil viscosity, Centistokes @ 40° C
-40° to 32°F (-40° to 0°C)	SAE 10W	45
32° to 100°F (0° to 38°C)	SAE 20	100
100° to 275° F (38° to 135°C)	SAE 40	200
over 275° F (135° C)	SAE 50	250

\* In applications with extreme variations in ambient temperature a 20W-50W multiple viscosity oil is recommended.

**For Grease Lubricated Bearings**  
*Service every 500 hours of operation*

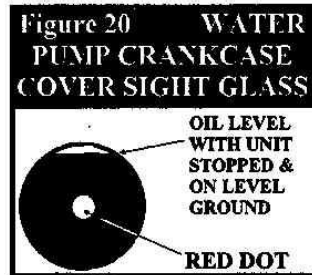
Blower Discharge Temperature	Type Grease
-40° to 275° F (-40° to 120° C)	No. 2 Non-Corrosive Bearing Grease

4. The bearings on the pulley end of the vacuum pump requires grease lubrication every **500 hours**. Pack the bearings until grease comes out of the vent holes. Use extreme pressure bearing grease of the specification NLGI Grade 2 EP.

**3. WATER PUMP**

Refer to the Water Pump Operation and Service Manual for specific instructions.

1. Check the crankcase oil level **daily** to assure the proper level. Use Figure 20 as a guide when checking the oil level. If the level has dropped, check for the source of leakage and repair.



2. Change the crankcase oil with Cat Pump Crankcase Oil, Part #05-008016, after the **first 50 hours** of operation. Drain and refill the crankcase oil with Cat Pump Crankcase Oil every **500 hours** thereafter.

3. Other Cat approved oil equivalents are: Mobil DTE 16, Amoco Rykow 68, and Shell Tellus T68.

**4. VACUUM INLET FILTER (IN WASTE TANK)**

1. The vacuum filter in the waste tank should be removed and cleaned **daily**. If this is done, the filter will last for a long period of time.

2. Inspect the vacuum inlet filter inside the waste tank. If there is any lint or debris, remove and clean filter. Re-install the filter **hand-tight**.



**CAUTION:**

When removing the vacuum inlet filter, grip the plastic hexagonal section of filter. Grasping filter by the screen may collapse or ruin the filter.

**NOTE:** When replacing this filter, we recommend using the stainless steel filter (Part# 14-806509) only.

## 5. DRIVE BELTS, PULLEYS, & HUBS

1. Check pulley set screws and/or hub cap screws after the **first 25 hours** and then again at **100 hours**. Re-torque these screws with a torque wrench, using the values on the following chart. Check pulley set screws and/or hub cap screws **every 500 hours** thereafter.



### CAUTION:

**Make certain that when you re-torque these screws, that you use a clockwise pattern and continue until proper torque is achieved.**

TORQUE VALUES		
Component	inch/lbs	foot/lbs
Engine hub	264	22
Vacuum pump hub	192	16

2. Check for pulley groove wear, clean belts and pulley grooves, check for worn belts, proper belt tension, and pulley alignment after the **first 25 hours** and then again at **100 hours**. Check for belt ride in the groove. In multiple groove drives, belt ride should be uniform, not more than 1/16" above or below top of pulley groove.

Check groove wear area for wear. Side wall of groove should be straight, not dished out. Bottom of groove should show no signs of belt contact.

Inspect belts for contaminants, such as oil or grease. Wipe belts clean with detergent and water. Inspect pulley grooves for buildup of such material and remove, if necessary.

Check wear surfaces of belt for excessive wear. If they have a slick, glazed look, belts are slipping. Check belt tension. Never replace one belt in a used set, as used belts will elongate. Replace entire set if replacement is necessary.

Place a straight-edge across the top of belt. There should be no more than 1/2" deflection in the center of the belt, halfway between the pulleys. If there is too much slack, tighten belt, making sure that it stays properly aligned.

See the "General Service Adjustments" section in this manual for details.

Check alignment with straight-edge, string, or machinist level. Correct alignment to as near perfect as possible.

## 6. FLOAT VALVE (WATER BOX)

Check the float valve at least once a month for proper operation. If overfilling is a problem, check the plunger for a proper seat. Replace tip on plunger if needed or damaged. Water level in the water box should be about 5-1/2" to 6".

For the procedure, see the "General Service Adjustments" section in this manual for details.

## 7. INLET FILTER (TO WATER PUMP)

The filter inside and on the bottom of the water box is rubber with a stainless steel screen. This should be inspected and cleaned on a **weekly** basis. Replace, if damaged.

**NOTE:** Vacuum all excess water and debris from water box prior to removing strainer.

## 8. WASTE TANK STRAINER BASKET

The strainer basket located inside the waste tank should be removed and cleaned whenever it is full of debris. This should be done on at least a **daily** basis.

### 9. BYPASS MANIFOLD (STRAINER AND JET BLOCK)

Check the strainer and the jet **weekly**. Remove any debris or blockage.

For the procedure, see the "General Service Adjustments" section in this manual for details.

### 10. Y-STRAINER (OUTLET)

Inspect the Y-strainer **after the first week** of running the unit by unscrewing the screen and remove any accumulated debris. Inspect the strainer again at **2 and 4 weeks**.

The Y-strainer should then be inspected **every month**. However, if the Y-strainer has a frequent build-up of debris it should be inspected and cleaned more often.

### 11. CHECK VALVE (OUTLET)

Inspect the check valve when rebuilding the chemical pump or as needed. Remove and disassemble the check valve. Check the Teflon seat for debris or abnormal wear. Clean or replace seat if needed.

**NOTE:** Improper seating of the check valve poppet, damaged spring, or o-rings will cause poor operation of the chemical system.

For the procedure, see the "General Service Adjustments" section in this manual for details.

### 12. CHEMICAL PUMP

Rebuild the chemical pump **every 1000 hours**. This involves changing the diaphragm and check valves.

For the procedure, see the "General Service Adjustments" section in this manual for details.

### 13. CHEMICAL AND HEAT BYPASS VALVES

Examine the packing nut on the chemical selector valves, heat bypass valve, and chemical metering valve **every 200 hours**. Keeping these valve packings properly adjusted will eliminate possible leakage from the valve stems and add to overall valve life.

For the procedure, see the "General Service Adjustments" section in this manual for details.

### 14. NITROGEN ACCUMULATOR

Check the nitrogen pre-charge at **least once a year**. Recharge the accumulator and replace the bladder, when needed. This should be performed by an Authorized Service Center.



### WARNING!

**Recharge accumulator with nitrogen ONLY. DO NOT charge accumulator over 250 PSI.**

### 15. PRESSURE REGULATOR

Lubricate the o-ring and stem **every 50 hours**. Use o-ring lubricant Part #05-008035.

For the procedure, see the "General Service Adjustments" section in this manual for details.



## 16. VACUUM HOSES

To assure maximum hose life, we recommend that the hoses be washed out with clean water at the end of each working day.

## 17. CATALYTIC AIR PUMP

Check and/or replace the air pump every **1500 hours**. When replacing, it will also be necessary to replace the air pump pulley.

## 18. TEMPERATURE SOLENOID

Remove hard water deposits from the temperature solenoid every **200 hours** or as often as required.

For the procedure, see the "General Service Adjustments" section in this manual.

## 19. BATTERY



### WARNING!

**Dangerous Acid, Explosive Gases!**

Batteries contain sulfuric acid. To prevent acid burns, avoid contact with skin, eyes and clothing. Batteries produce explosive hydrogen gas while being charged. To prevent a fire or explosion, charge batteries only in well ventilated areas. Keep sparks, open flames, and other sources of ignition away from the battery at all times.

Keep batteries out of the reach of children. Remove all jewelry when servicing batteries. Before disconnecting the negative (-) ground cable, make sure all switches are OFF. If ON, a spark will occur at the ground cable terminal which could cause an explosion if hydrogen gas or gasoline vapors are present.

When disconnecting the battery, ALWAYS disconnect the negative (-) terminal FIRST.

1. Check the fluid level in the battery every **25 hours** or **once a week**. If low, fill to the recommended level with **distilled water ONLY**.

**NOTE: DO NOT** overfill the battery. Poor performance or early failure due to loss of electrolyte will result.

2. Keep the cables, terminals, and external surfaces of the battery clean. A buildup of corrosive acid or grime on the external surfaces can cause the battery to self-discharge. Self-discharge occurs rapidly when moisture is present.

The battery terminals should be cleaned every **100 hours** to prevent corrosion build-up. Wash the cables, terminals and external surfaces with a mild baking soda and water solution. Rinse thoroughly with clear water.



### CAUTION:

**DO NOT** allow the baking soda to enter the battery cells as this will destroy the electrolyte.

## 20. ENGINE EXHAUST HEAT EXCHANGER

If the engine and/or air pump are not properly maintained, the exhaust gases may deposit carbon on the outside of the heat exchanger coil and affect the cleaning solution temperature and damage the catalytic converter. If this condition exists, remove the heat exchanger from the unit and clean the carbon off the coil. This may be done by taking it to a radiator dealer and having it boiled out. **The catalytic converter must be completely removed before cleaning carbon deposits or damage may result.**

Proper maintenance of the unit, such as regular tune-ups, proper fuel, and a properly operating air pump will help prevent carbon build-up on the coil and increase the life of the unit.

Using BRIDGEPOINT cleaner will greatly enhance the removal of carbon deposits. Soak the coil and casing **ONLY, NEVER** soak the catalytic converter core.

**21. VACUUM EXHAUST HEAT EXCHANGER**

Removing and cleaning the vacuum exhaust pre-heater core is recommended as needed or if the unit was operated with the vacuum inlet filter damaged, removed, or improperly installed. Pull out the core and remove all debris, being **careful not to drive debris deeper into the core.** We recommend removing the debris with water by either submerging the core and moving it back and forth until the debris loosens and falls off or by spraying the debris out of the core. Allow the core to dry before reinstalling.

**22. HIGH PRESSURE HOSES**

Inspect your high pressure hoses for wear after the **first 100 hours** of use. Inspect **every 25 hours thereafter.** If hoses show any signs of damage or impending rupture, **replace the hose.**



**WARNING!**

**DO NOT attempt to repair high pressure hoses! Repairing high pressure hoses may result in severe burns and serious injury!**

**All high pressure hoses must be rated for 3000 PSI at 250°F. Thermoplastic hoses do not meet these specifications and should not**

**be used. Severe burns and injury may result if the hoses do not meet these requirements.**

**23. OPTIONAL WASTE PUMP-OUT**

**At the end of each work day, make certain that you remove any debris or sediment which may be inside the waste pump.**

Remove the waste pump unit from the waste tank and clean inside the screen at least **once a week, or more frequently if required.**

**24. TEMPERATURE PROBE PACKING**

Examine the temperature packing assembly for leaks every **200 hours.** Tighten the packing nut fitting just enough to stop leaks. **DO NOT over-tighten.**

For the procedure, see the "General Service Adjustments" section in this manual.

# 7 SERVICE GENERAL ADJUSTMENTS



## WARNING!

**DO NOT** service this unit while it is running. The high-speed mechanical parts as well as high temperature components may result in severe injury, severed limbs, or fatality.

### 1. ENGINE SPEED

To adjust the engine RPM, refer to the **Briggs & Stratton Vanguard Service and Repair Instructions** for specific instructions.



## CAUTION:

**DO NOT** attempt to adjust without a tachometer and **NEVER** adjust the engine above 3200 RPM.

### 2. VACUUM RELIEF VALVE

While the unit is running at full RPM, block the air flow at the vacuum inlet connection and read the vacuum gauge. If adjustment is required, shut the unit down and adjust the vacuum relief valve locking nut tension. Start your unit and read the vacuum gauge. Repeat this process until the relief valve opens at 13" Hg.

### 3. VACUUM PUMP DRIVE BELTS

To tighten the vacuum pump belts:

1. Loosen the two nuts which hold the air pump mount in place.
2. Loosen the four nuts which hold the vacuum pump mount in place.
3. Turn the adjusting bolts until the proper belt tension is achieved (1/2" deflection in the center of the belt, halfway between the pulleys).

**NOTE:** When adjusting belt tension, make certain that the engine shaft and vacuum pump shaft remain parallel, and the belt tension is equal throughout the belt width.

4. After adjusting, re-tighten the four nuts which hold the vacuum pump mount in position. Check belt alignment with straight-edge.
5. Readjust and check air pump belt. **DO NOT** over-tighten belt. Re-tighten the two nuts which hold the air pump mount in place. Check belt alignment with straight-edge.

### 4. WATER PUMP DRIVE BELT

To tighten the water pump belt:

1. Loosen the nuts which hold the water pump mount to base.
2. Adjust the position of the belt tension adjusting bolt until the proper belt tension is achieved. (1/2" deflection in the center of the belt, halfway between the pulleys).
3. While checking the alignment, tighten the nuts which hold the water pump mount to base.

**5. FLOAT VALVE (WATER BOX)**

The float valve should only be adjusted if the water box is overflowing or the water level in the box is lower than 5-1/2":

1. If the box is overflowing, remove, and check the float valve for debris or damage.

**NOTE:** If the float ball has any water inside it must be replaced.



**CAUTION:**

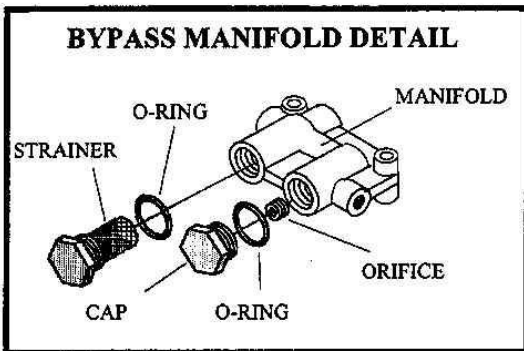
When replacing float ball, **DO NOT** over-tighten, as the rod can puncture the ball. Make sure to tighten the nuts on the rod.

2. Disassemble the valve and check the piston and seat for damage, replace if needed. See the "Illustrated Parts Listing" for a parts breakdown.

**6. BYPASS MANIFOLD**

Clean the bypass strainer and orifice weekly, using the following guidelines:

1. Remove the strainer. Clean and re-install. **DO NOT** over-tighten strainer.



2. Remove the cap. Remove the orifice, using a 3/16" Allen wrench (the 3/16" Allen wrench is

provided with Part #66-945280, the bypass maintenance kit).

3. Re-install the cap and run the unit with the water pump ON for 15 seconds to flush out the bypass manifold.

4. Remove the cap and re-install the cleaned orifice, using the 3/16" Allen wrench. Tighten orifice just enough to seat. **DO NOT** over-tighten. Re-install cap. **DO NOT** over-tighten cap.

**NOTE:** If o-ring seals leak, replace them. If strainer is damaged, replace strainer.

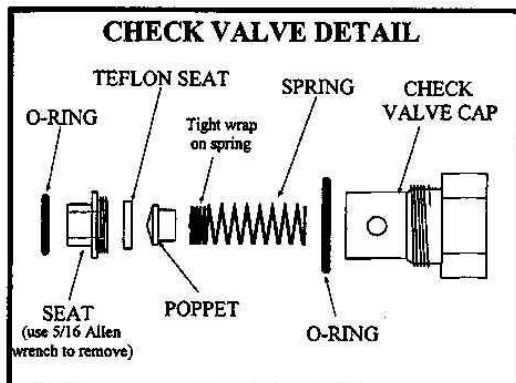
**7. CHECK VALVE (SOLUTION OUTLET)**

Inspect the check valve whenever doing service on the chemical pump or if flow problems occur in the chemical system:

1. Remove the check valve. Be sure the small o-ring for the seat comes out with the check valve.

2. Remove the seat, using a 5/16" Allen wrench.

3. Check the Teflon seat for debris or wear. Clean or replace Teflon seat if needed.



4. Clean the poppet and spring, inspect for wear or damage, and replace as needed.

5. Re-assemble the check valve. Start the seat by hand, tighten using a 5/16" Allen wrench. **DO NOT** over-tighten seat.

**NOTE:** Improper seating of the check valve poppet, damaged spring or o-rings will cause poor operation of the chemical system.

6. Lubricate the o-rings with o-ring lubricant Part #05-008035 and reinstall.

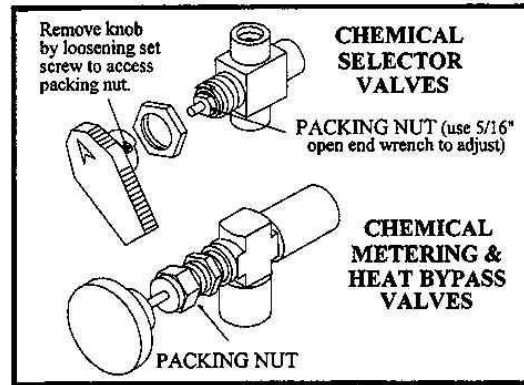
**8. CHEMICAL PUMP**

The only repairs which the chemical pump may require is the replacement of the diaphragm or check valves. To replace the diaphragm, unscrew the cover from the body. When replacing the diaphragm, lubricate the outer edges of the diaphragm with o-ring lubricant Part #05-008035 and reassemble. To replace the check valves, unscrew the check valve caps. Replace the check valves and reassemble, using new o-rings.

**DO NOT** attempt to re-use o-rings once the check valves have been removed. See the "Illustrated Parts Listing" for a parts breakdown on the chemical pump.

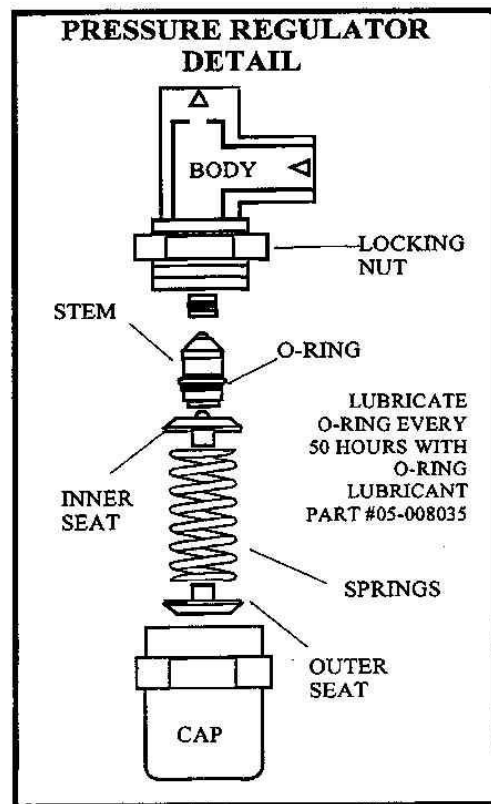
**9. PACKING NUT ADJUSTMENT FOR CHEMICAL METERING AND CHEMICAL SELECTOR VALVES**

Examine the packing nut on the chemical metering, heat bypass, and chemical selector valves for proper tension every 200 hours. When turning the knob, there should be a small amount of resistance. If not, slightly tighten the packing nut. **DO NOT** over-tighten. Keeping the valve packings properly adjusted will eliminate possible leakage from the valve



**10. PRESSURE REGULATOR**

The pressure regulator serves only to hold locked up water pressure at a preset point and to bypass this water back to the water box.



To adjust:

1. With your unit running, close the cleaning tool. Check the pressure gauge. Open the tool valve. We recommend setting the pressure regulator so that the pressure gauge reads 350 PSI with the tool valve open.

When the tool valve is opened, there is an approximate drop of 50 PSI in pressure. If there is a pressure drop greater than 100 PSI, it may be necessary to lubricate the o-ring in the pressure regulator.

2. If the pressure regulator requires adjustment, loosen the locking nut, then turn the adjusting body (cap) (while observing the pressure gauge on the control panel) until the desired pressure is obtained. Re-tighten the locking nut.



### WARNING!

**DO NOT** loosen the adjusting body (cap) all the way (counter-clockwise) or remove it while the unit is running.

We recommend that you lubricate the pressure regulator o-ring and stem every 50 hours, or whenever required. If you do not, the stem may become seized due to inadequate lubrication. If this occurs,

- a) Shut down the unit.
- b) Relieve all pressure from the water system.
- c) Remove the cap from the pressure regulator and remove the stem with long nose pliers.
- d) Clean and lubricate stem.
- e) Re-assemble pressure regulator.

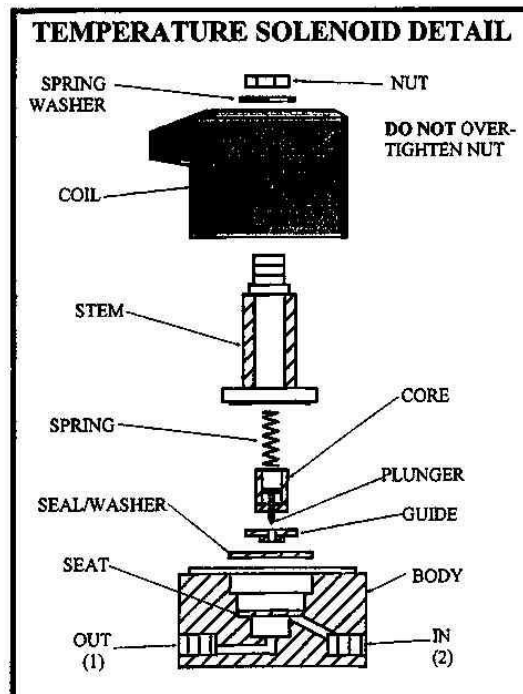
## 11. TEMPERATURE SOLENOID

The temperature solenoid may become seized due to hard water deposits. Make certain that the core moves freely in the stem. Also, the plunger must move freely within the guide. Clean with #0000 steel wool.



Check the seat to make sure that it is not distorted. Clean the seat, using a 3/64" drill bit. ROTATE THE DRILL BIT WITH YOUR FINGERS ONLY.

**NOTE:** DO NOT over-tighten nut when re-assembling temperature solenoid. Over-tightening the nut will damage the coil.

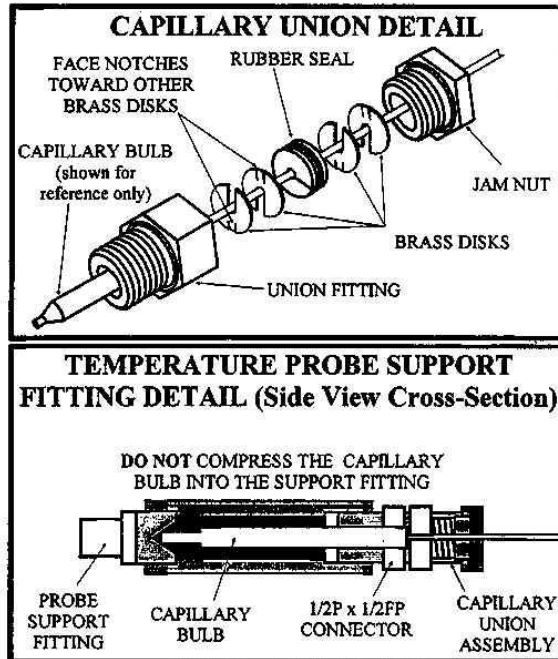


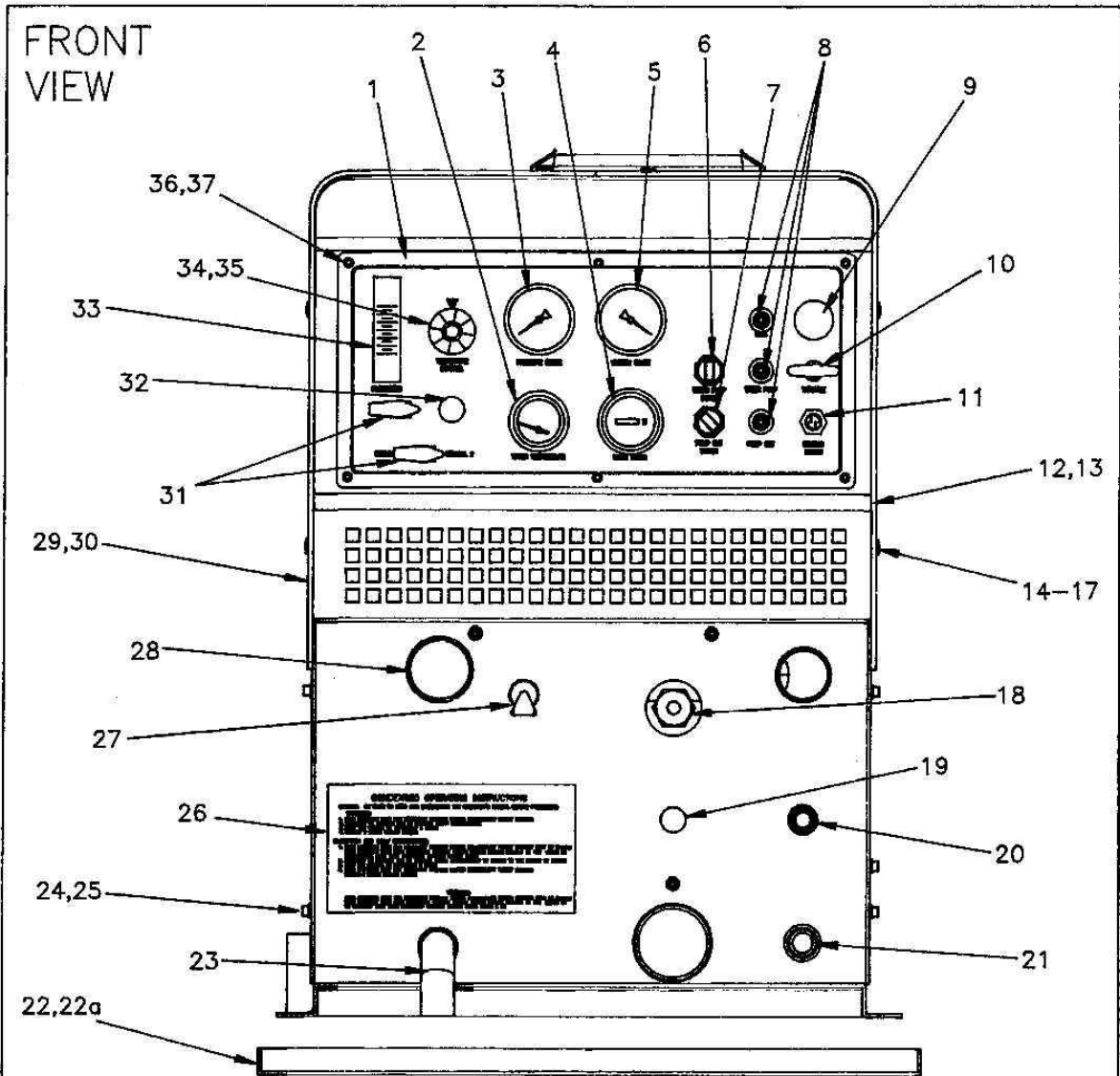
## 12. TEMPERATURE CAPILLARY & PACKING ASSEMBLY

### INSTALLATION INSTRUCTIONS

1. Using thread sealant, thread the tapered end of the union fitting into the thermostat manifold and tighten.
  2. Slide the jam nut over the capillary bulb with the threaded end toward the end of the capillary bulb.
  3. Insert the capillary bulb through the union fitting and into the thermostat manifold.
  4. Place the rubber seal onto the capillary tube with the split facing 90° from the top (see the capillary union detail).
  5. Fit the four brass disks onto the capillary tube, with two of the brass disks on each side of the rubber seal. Face the notch on one brass disk toward the nearby brass disk to lock the brass disks together. Then face the notches on the brass disks 90° from the split in the rubber seal.
- NOTE:** Lubricating the facing sides of the brass disks will hold them together on the capillary tube during installation.
6. Insert the rubber seal and brass disks into the union fitting, hand tight.
  7. Position the capillary bulb in the temperature manifold as shown in the illustration. When positioning the capillary bulb, do not allow the bulb to compress against the support fitting.
  8. Tighten the jam nut lightly, about 1-1/2 turns.

9. Examine the capillary union assembly for leaks and tighten the union fitting just enough to stop leaks. **DO NOT** over-tighten.

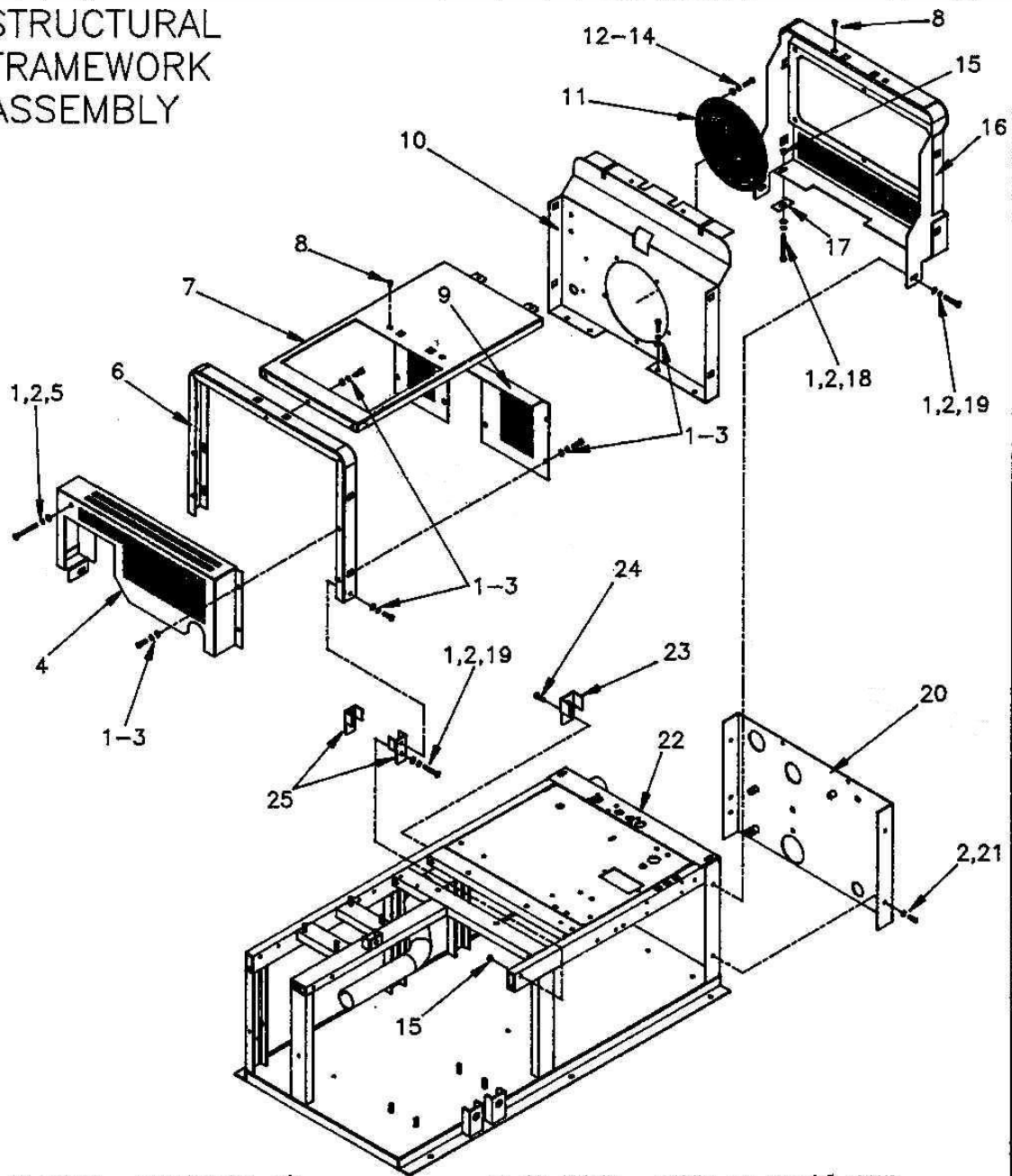




- |   |  |
|---|--|
| 1 50-501830.....PANEL, CONTROL SABER/SABER 2000     | 22a 56-501930.....PAN, DRIP (Optional, for unit on water tank)         |
| 2 18-808530.....GAUGE, WATER TEMP 320deg            | 23 55-501672.....TUBE, EXHAUST DEFLECTOR                               |
| 3 18-808526.....GAUGE, WATER PRESSURE 1500psi       | 24 02-000038.....LOCK WASHER, 1/4                                      |
| 4 34-903000.....HOUR METER, PANEL MOUNT             | 25 00-000210.....SCREW, 1/4-20x3/4" SOCHD SST                          |
| 5 18-808525.....GAUGE, VACUUM 30"Hg                 | 26 48-941197.....DECAL, CONDENSED OPERATING INSTRUCTIONS               |
| 6 61-950738.....ASSY, OIL/WATER OVERRIDE SWITCH     | 27 19-800075.....CUP, OIL FILL 1/8P                                    |
| 7 32-900180.....SWITCH, RETRY ILLUMINATED           | 28 04-000285.....KNOB, CONTROL   |
| 8 33-900163.....BREAKER, CIRCUIT 20A                | 29 61-951190.....ASSY, LEFT HOOD SABER 2000                            |
| 9 49-802518.....CABLE, CHOKE                        | (Includes Parts 15-17, 30, and hood decal)                             |
| 10 49-802505.....CABLE, THROTTLE                    | 30 50-501747.....HOOD, LEFT TB   |
| 11 32-900174.....SWITCH, IGNITION W/KEY             | 31 15-808022.....VALVE, BALL 3-WAY 1/8FP                               |
| 12 61-951189.....ASSY, RIGHT HOOD SABER 2000        | 32 15-808106.....VALVE, METERING 1/8FP (Chemical)                      |
| (Includes Parts 13,15-17, & hood decal)             | 33 18-808513.....FLOW METER, 1/8FP                                     |
| 13 50-501748.....HOOD, RIGHT TB                     | 34 35-900182.....CONTROL, TEMPERATURE 275deg                           |
| 14 01-000259.....RECEPTACLE, SNAP-IN 1/4 TURN FAST  | 35 33-900193.....MICROSWITCH, TEMPERATURE CONTROL                      |
| 15 00-000272.....STUD, 1/4 TURN FASTENER            | 36 00-000337.....SCREW, 10-32x1" SOCHD SST                             |
| 16 02-000268.....RETAINER, SPLIT RING 1/4 TURN FAST | 37 01-000273.....NUT, WELL 10-32                                       |
| 17 58-700023.....PAD, 1/4 TURN FASTENER             |  |
| 18 15-808081.....REGULATOR, PRESSURE (SUTTNER)      | NOT SHOWN  |
| 19 15-808107.....VALVE, METERING 1/8FP (BYPASS)     | 48-941212.....SHEET, COMPLETE UNIT DECAL (Warning and Instrumentation) |
| 20 13-806001.....DISCONNECT, 1/4Fx1/4FP             | 48-941313.....DECAL, HOOD BRIDGEPOINT SABER                            |
| 21 13-806008.....DISCONNECT, 3/8Fx3/8FP             |  |
| 22 56-501845.....PAN, DRIP (Optional)               |  |



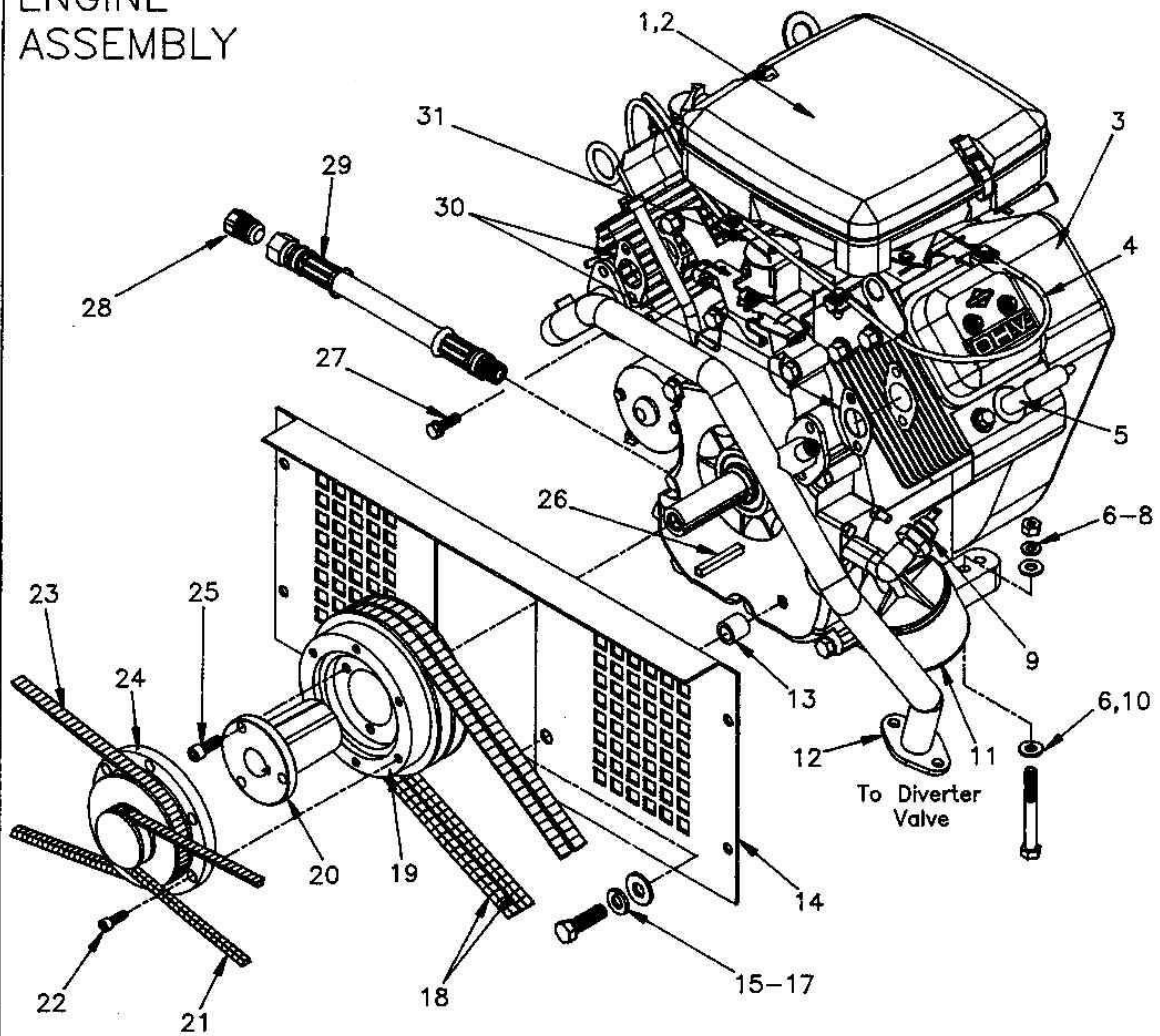
# STRUCTURAL FRAMEWORK ASSEMBLY



- 1 02-000066.....FLAT WASHER, 1/4
- 2 02-000038.....LOCK WASHER, 1/4
- 3 00-000055.....SCREW, 1/4-20x3/4" HXHD
- 4 56-501918.....GUARD, BELT TB
- 5 00-000009.....SCREW, 1/4-20x3-1/2" HXHD
- 6 56-502018BP...BRACKET, REAR HOOD AQUA
- 7 56-502017BP...BRACKET, CENTER HOOD AQUA
- 8 00-000216.....SCREW, 1/4-20x1/2" FLAT SOCHD
- 9 50-501750.....GUARD, REAR BELT TB
- 10 56-502280BP...PANEL, ENGINE INSULATION AQUA
- 11 42-902282.....GUARD, FLYWHEEL
- 12 02-000128.....FLAT WASHER, #10
- 13 02-000032.....LOCK WASHER, #10

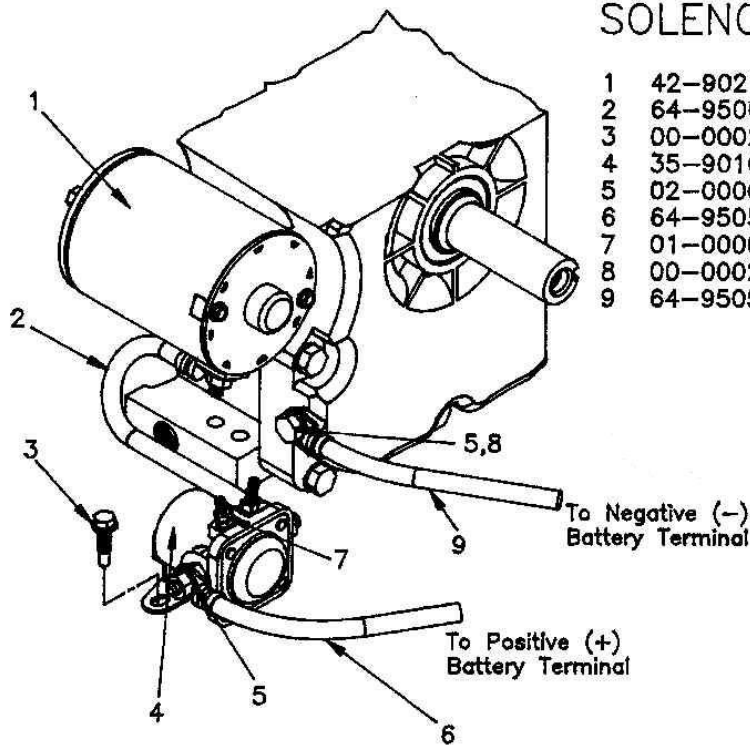
- 14 00-000071.....SCREW, 10-24x1/2" SOCHD
- 15 01-000037.....NUT, 1/4 HXHD
- 16 56-501929BP...MOUNT, CONTROL PANEL AQUA
- 17 58-700024.....PAD, VIBRATION CONTROL
- 18 00-000286.....SCREW, 1/4-20x2-3/4" HXHD
- 19 00-000122.....SCREW, 1/4-20x1-3/4" HXHD
- 20 56-501914BP...ASSY, LOWER FRONT PANEL AQUA
- 21 00-000210.....SCREW, 1/4-20x3/4" SOCHD
- 22 56-502279BP...BASE, SABER 2000 AQUA
- 23 56-501857.....BRACKET, FUEL LINE
- 24 00-000255.....SCREW, SELF DRIVE #14x1" HXHD
- 25 56-502050.....BRACKET, HOOD MOUNTING

# ENGINE ASSEMBLY



- |    |  |    |                                     |
|----|--|----|-------------------------------------|
| 1  | 42-902005.....CARTRIDGE(incr), AIR CLN | 19 | 52-501660.....PULLEY, ENGINE        |
| 2  | 42-902006.....ELEMENT(outr), AIR CLN   | 20 | 44-802126.....HUB, P2x1"            |
| 3  | 40-902147.....ENGINE, B&S 18HP         | 21 | 44-802240.....BELT, 3VX265          |
| 4  | 49-802518.....CABLE, CHOKE             | 22 | 00-000210.....SCR, 1/4-20x3/4"SOCHD |
| 5  | 42-902169.....PLUG, SPARK              | 23 | 44-802234.....BELT, AP29            |
| 6  | 02-000143.....FLAT WASHER, 5/16        | 24 | 52-501661.....PULLEY, OUTER ENGINE  |
| 7  | 02-000040.....LOCK WASHER, 5/16        | 25 | 00-000340.....SCREW, 5/16-18x1" GR8 |
| 8  | 01-000041.....NUT, 5/16-18 HXHD        | 26 | 54-500412.....KEYSTOCK, 1/4x1-7/8"  |
| 9  | 35-900169.....SWITCH, OIL PRESS        | 27 | 42-902353.....SCREW, EXHAUST MNFLD  |
| 10 | 00-000287.....SCR, 5/16-18x2-3/4"      | 28 | 12-800062.....PLUG, 1/2T            |
| 11 | 42-902158.....FILTER, OIL              | 29 | 10-805291.....HOSE, HP 3/8x10"      |
| 12 | 56-501908.....MANIFOLD, EXHAUST        | 30 | 42-902174.....GASKET, EXHAUST MNFLD |
| 13 | 54-501636.....STANDOFF, BELT GUARD     | 31 | 49-802505.....CABLE, THROTTLE       |
| 14 | 50-501750.....GUARD, REAR BELT         |    |                                     |
| 15 | 02-000269.....FLAT WASHER, 7/16        |    |                                     |
| 16 | 02-000225.....LOCK WASHER, 7/16        |    |                                     |
| 17 | 00-000222.....SCR, 7/16-14x1-1/2"      |    |                                     |
| 18 | 44-802244.....BELT, AP41               |    |                                     |
- NOT SHOWN  
 42-902307.....REGULATOR, VOLTAGE  
 42-902173.....SOLENOID, FUEL

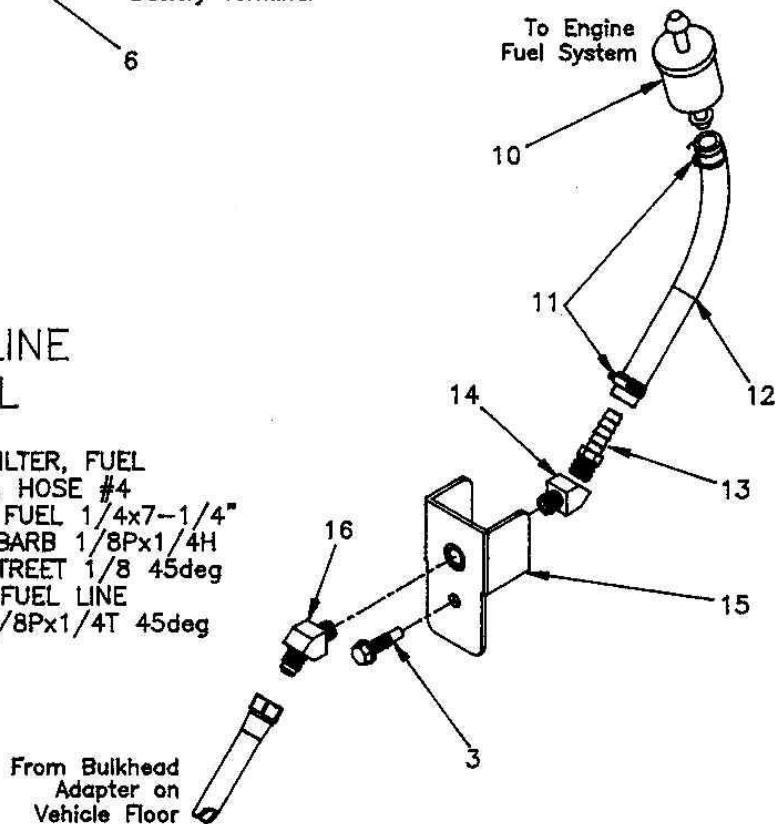
### ENGINE STARTER SOLENOID DETAIL

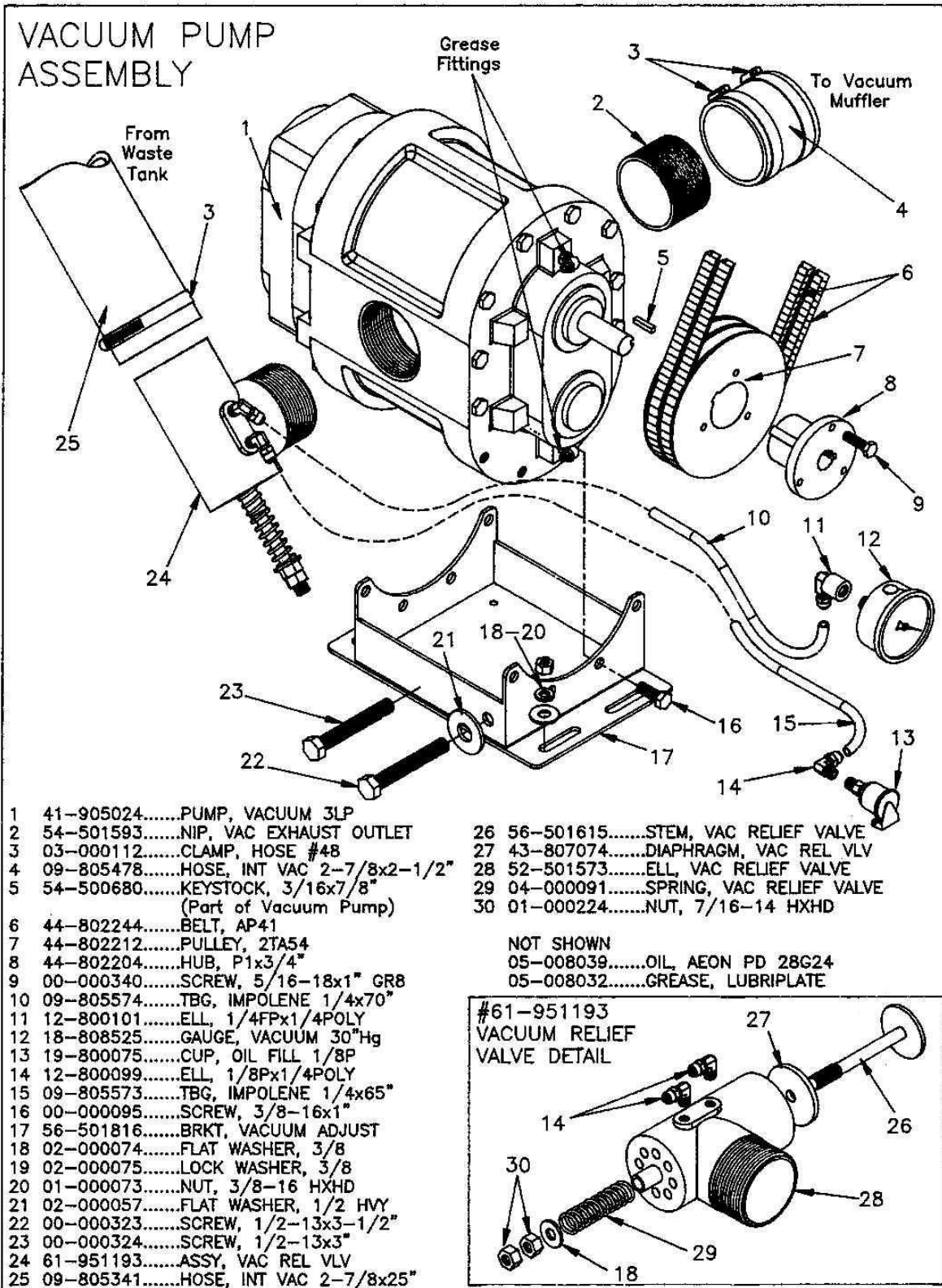


- 1 42-902176.....B&S MOTOR, START
- 2 64-950060.....CABLE, BATx8" BLK
- 3 00-000255.....SCR, #14x1" SLF DR
- 4 35-901002.....SOLEN, STARTER
- 5 02-000040.....LOCK WASHER, 5/16
- 6 64-950514.....CABLE, BATx101" RED
- 7 01-000019.....LOCK NUT, 10-32
- 8 00-000226.....SCR, 8MMx1.25x20MM
- 9 64-950515.....CABLE, BATx111" BLK

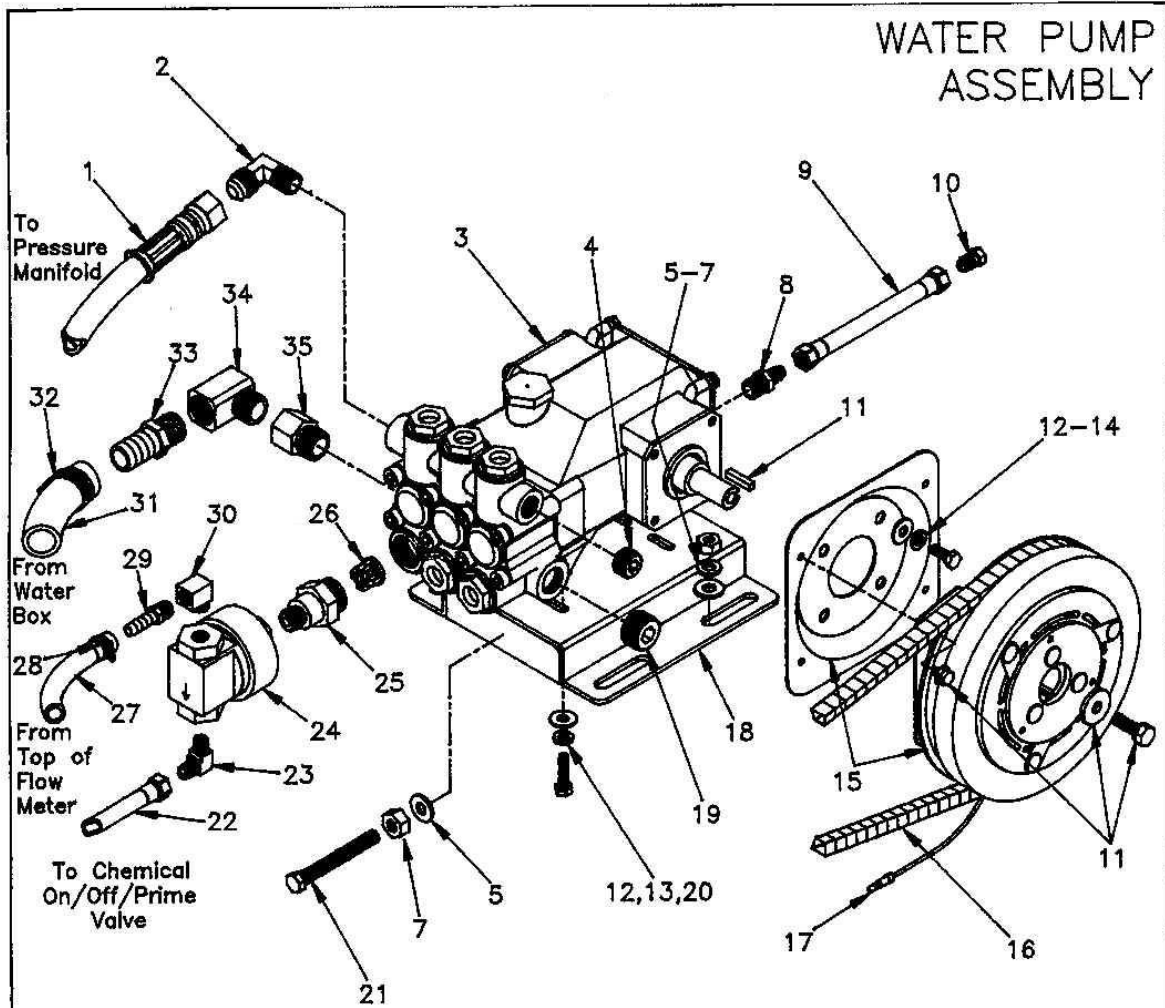
### ENGINE FUEL LINE BRACKET DETAIL

- 10 42-902172.....B&S FILTER, FUEL
- 11 03-000065.....CLAMP, HOSE #4
- 12 09-805351.....HOSE, FUEL 1/4x7-1/4"
- 13 12-800041.....FTTG, BARB 1/8Px1/4H
- 14 11-800112.....ELL, STREET 1/8 45deg
- 15 56-501857.....BRKT, FUEL LINE
- 16 12-800261.....ELL, 1/8Px1/4T 45deg





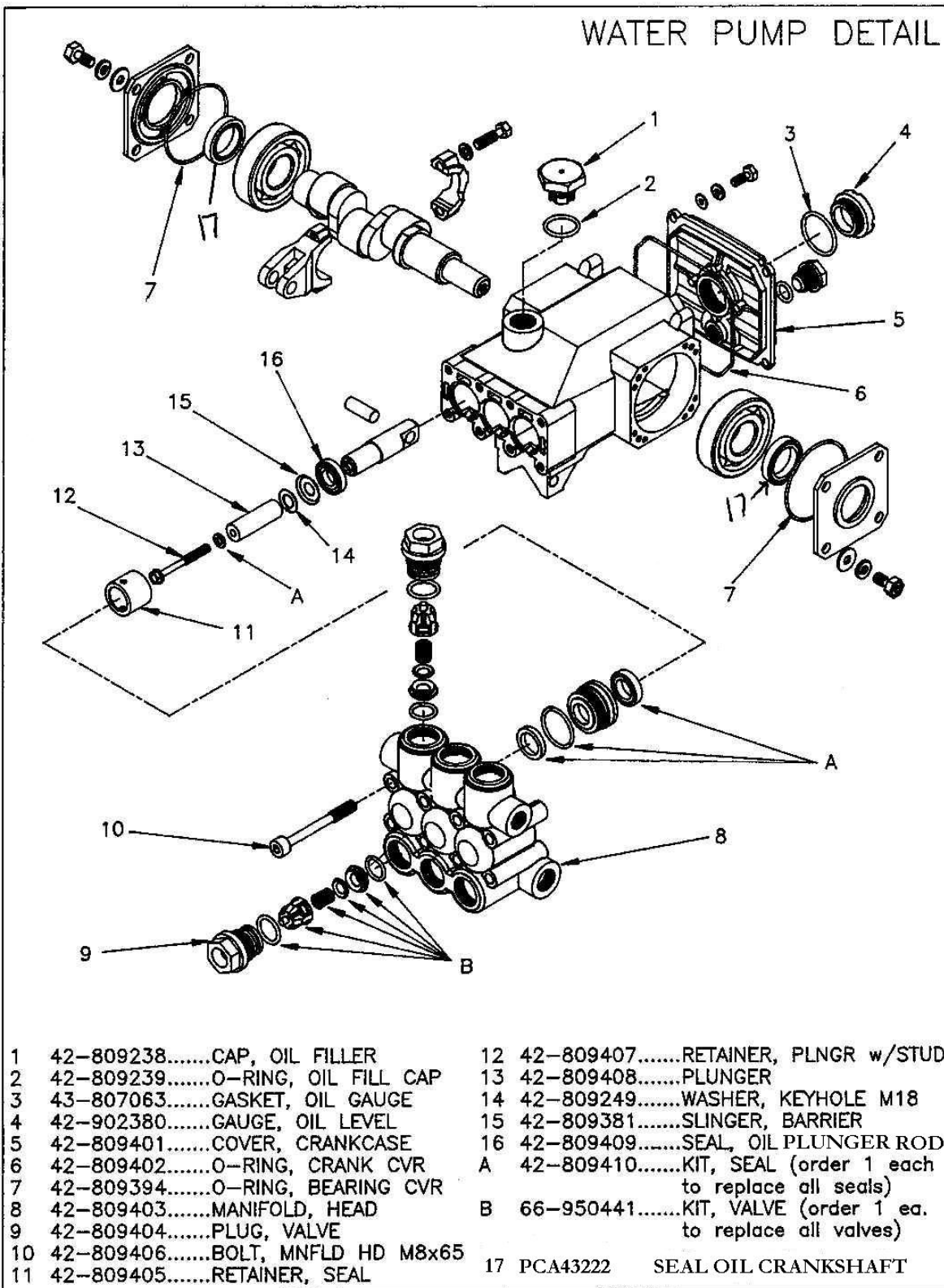
# WATER PUMP ASSEMBLY



- |    |                                    |    |                                      |
|----|------------------------------------|----|--------------------------------------|
| 1  | 10-805360.....HOSE, HP 3/8x49"     | 21 | 00-000336.....SCREW, 3/8-16x3"       |
| 2  | 12-800225.....ELL, 3/8Px1/2T       | 22 | 10-805312.....HOSE, 3/16x49"         |
| 3  | 41-809153.....PUMP, WTR 3CP1140    | 23 | 12-800040.....ELL, 1/8Px1/4T         |
| 4  | 11-800224.....PLUG, 3/8 SOCHD      | 24 | 41-809144.....PUMP, CHEMICAL         |
| 5  | 02-000074.....FLAT WASHER, 3/8     | 25 | 52-809125.....ADAPT, CAT CHEM PUMP   |
| 6  | 02-000075.....LOCK WASHER, 3/8     | 26 | 52-809123.....CAT RETAIN, VLV SPRING |
| 7  | 01-000073.....NUT, 3/8-16 HXHD     | 27 | 09-805421.....HOSE, BRAID 5/16X54"   |
| 8  | 12-800060.....CONN, 1/4Px1/4T      | 28 | 03-000065.....CLAMP, HOSE #4         |
| 9  | 10-805316.....HOSE, 3/16x5"        | 29 | 12-800093.....FTTG, BRB 1/8Px5/16H   |
| 10 | 12-800029.....PLUG, 1/4T           | 30 | 11-800014.....ELL, STREET 1/8        |
| 11 | 42-809414.....PACK, HARDWR CLTCH   | 31 | 09-805292.....HOSE, WATER 3/4x12"    |
| 12 | 02-000066.....FLAT WASHER, 1/4     | 32 | 03-000113.....CLAMP, HOSE #12        |
| 13 | 02-000038.....LOCK WASHER, 1/4     | 33 | 12-800278.....FTTG, BRB 1/2Px3/4H    |
| 14 | 00-000059.....SCR, 6MMx14MM        | 34 | 11-800041.....ELL, STREET 1/2        |
| 15 | 36-900140.....CLUTCH, ELEC WTR PMP | 35 | 11-800342.....CONN, 1/2Px1/2FP       |
| 16 | 44-802234.....BELT, AP29           |    |                                      |
| 17 | 31-900185.....CONN, BULLET M(.156) |    |                                      |
| 18 | 56-502268.....BRKT, PMP ADJUST     |    |                                      |
| 19 | 11-800069.....PLUG, 1/2 SOCHD      |    |                                      |
| 20 | 00-000277.....SCR, 6MMx25MM        |    |                                      |

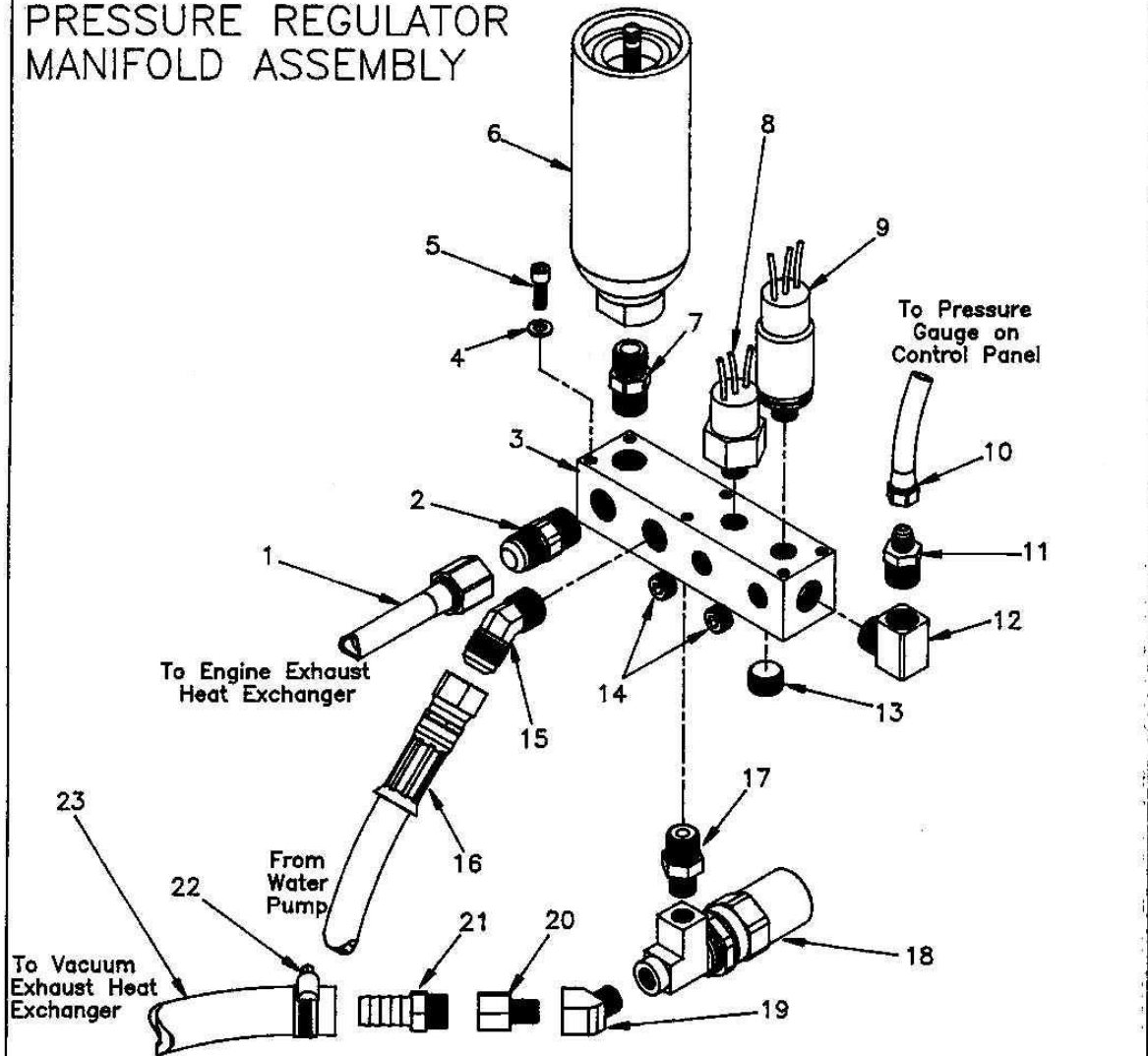
NOT SHOWN  
05-008016.....OIL, 21oz CAT WTR PMP

### WATER PUMP DETAIL



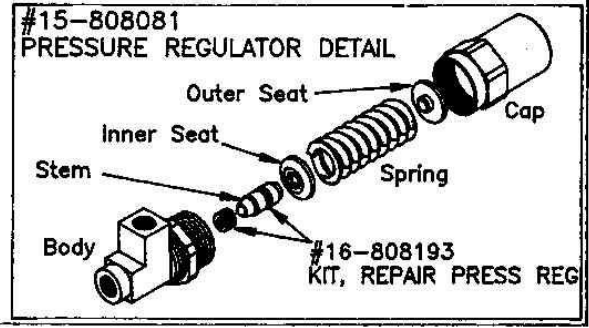
- |    |                                    |    |  |
|----|------------------------------------|----|--|
| 1  | 42-809238.....CAP, OIL FILLER      | 12 | 42-809407.....RETAINER, PLNGR w/STUD                         |
| 2  | 42-809239.....O-RING, OIL FILL CAP | 13 | 42-809408.....PLUNGER  |
| 3  | 43-807063.....GASKET, OIL GAUGE    | 14 | 42-809249.....WASHER, KEYHOLE M18                            |
| 4  | 42-902380.....GAUGE, OIL LEVEL     | 15 | 42-809381.....SLINGER, BARRIER                               |
| 5  | 42-809401.....COVER, CRANKCASE     | 16 | 42-809409.....SEAL, OIL PLUNGER ROD                          |
| 6  | 42-809402.....O-RING, CRANK CVR    | A  | 42-809410.....KIT, SEAL (order 1 each to replace all seals)  |
| 7  | 42-809394.....O-RING, BEARING CVR  | B  | 66-950441.....KIT, VALVE (order 1 ea. to replace all valves) |
| 8  | 42-809403.....MANIFOLD, HEAD       |    |  |
| 9  | 42-809404.....PLUG, VALVE          |    |  |
| 10 | 42-809406.....BOLT, MNFLD HD M8x65 | 17 | PCA43222 SEAL OIL CRANKSHAFT                                 |
| 11 | 42-809405.....RETAINER, SEAL       |    |  |

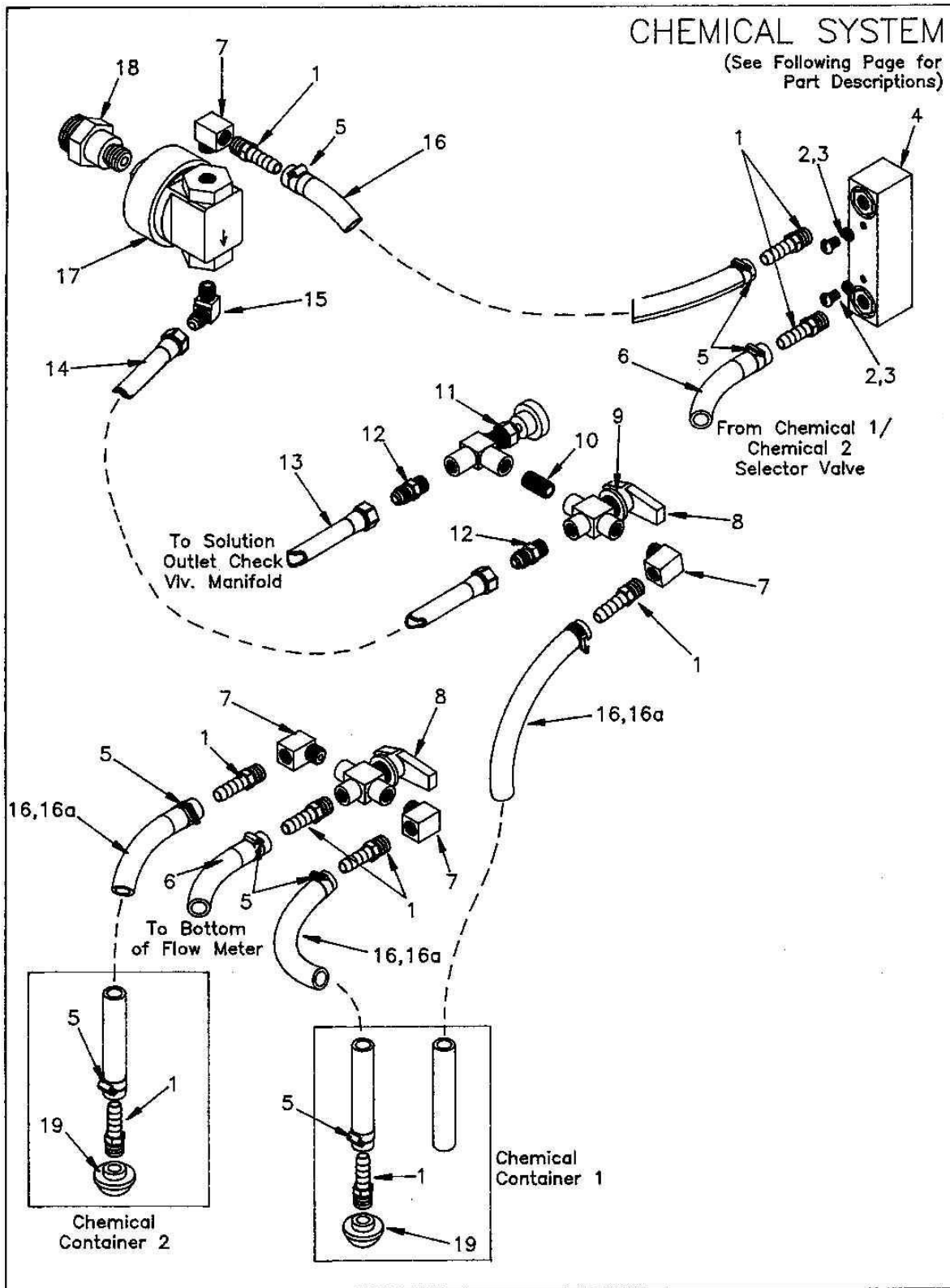
# PRESSURE REGULATOR MANIFOLD ASSEMBLY



- 1 10-805275.....HOSE, 1/2x19"
- 2 12-800282.....CONN, 3/8Px1/2T
- 3 52-501682.....MANIFOLD, REGULATOR
- 4 02-000038.....LOCK WASHER, 1/4
- 5 00-000210.....SCREW, 1/4-20x3/4"
- 6 41-809119.....ACCUMULATOR
- 7 11-800429.....NIP, HEX 3/8 SST
- 8 32-900184.....SWITCH, PRESS 50PSI
- 9 32-900186.....SWITCH, PRESS 1000PSI
- 10 10-805294.....HOSE, 3/16x11-1/2"
- 11 12-800346.....CONN, 3/8Px1/4T
- 12 11-800275.....ELL, STREET 3/8
- 13 11-800224.....PLUG, 3/8 SOCHD
- 14 11-800345.....PLUG, 1/4 SOCHD
- 15 12-800347.....ELL, 3/8Px1/2T 45deg
- 16 10-805360.....HOSE, HP 3/8x49"
- 17 11-800381.....NIP, HEX 3/8x1/4 SST

- 18 15-808081.....REGULATOR, PRESSURE
- 19 11-800027.....ELL, STREET 1/4 45deg
- 20 11-800090.....CONN, 3/8FPx1/4P
- 21 12-800345.....FTTG, BARB 3/8Px5/8H
- 22 03-000246.....CLAMP, HOSE #8
- 23 09-805384.....HOSE, WATER 5/8x16"



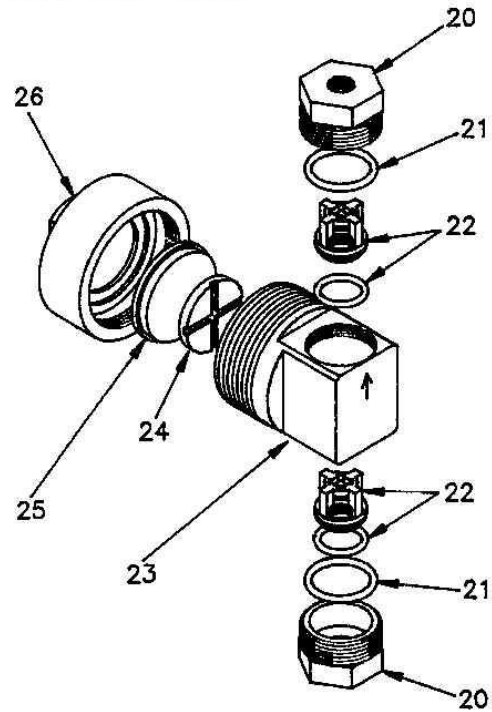




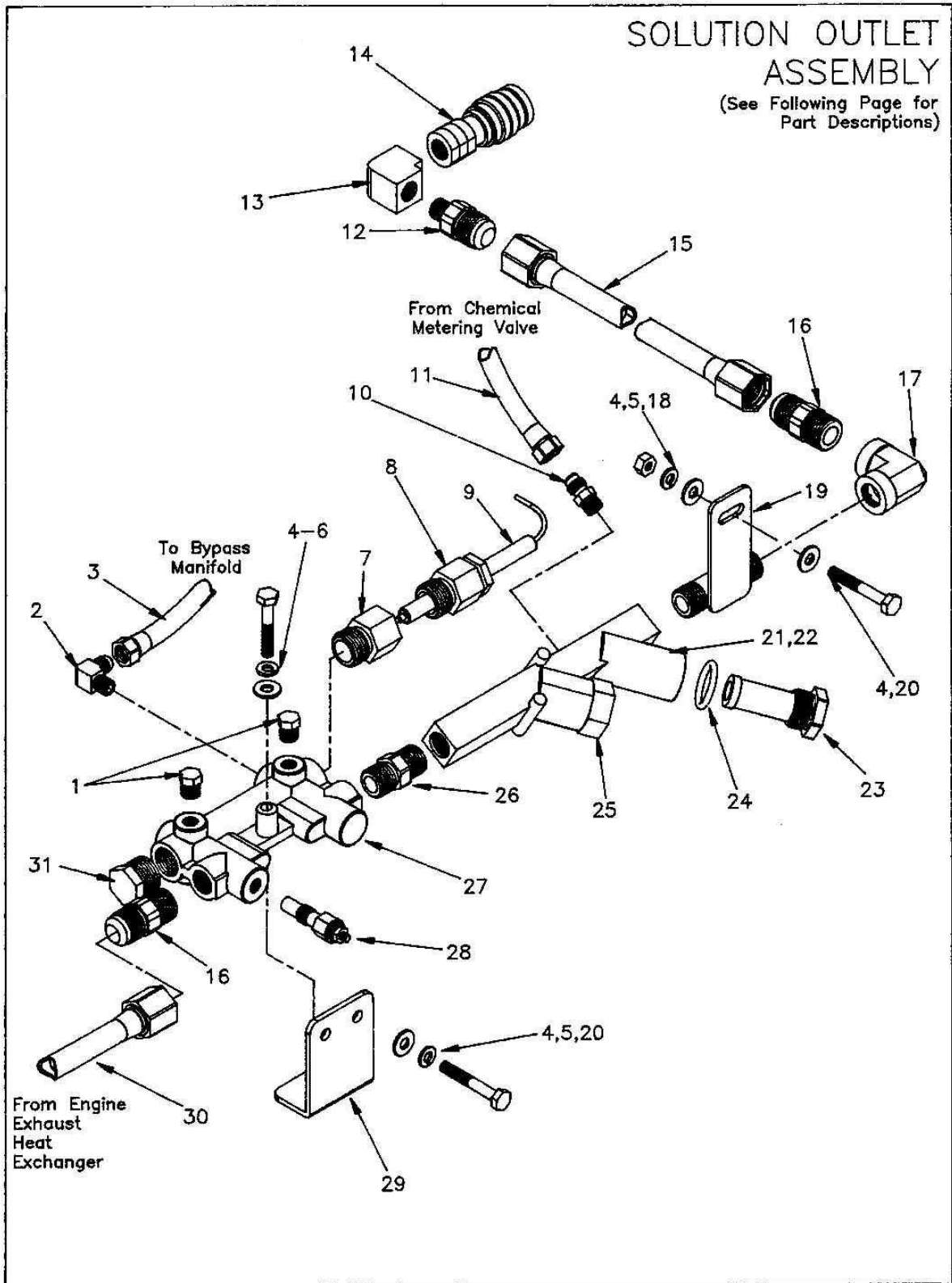
# CHEMICAL SYSTEM

(See Previous Page for Part Illustrations)

## #41-809144 CHEMICAL PUMP DETAIL



- 1 12-800093.....FITTING, BARB 1/8Px5/16H
- 2 00-000065.....SCREW, 10-32x3/8 PANHEAD
- 3 02-000032.....LOCK WASHER, #10
- 4 18-808513.....FLOW METER, 1/8FP
- 5 03-000065.....CLAMP, HOSE #4
- 6 09-805419.....HOSE, BRAID 5/16x11-1/2"
- 7 11-800014.....ELL, STREET 1/8
- 8 15-808022.....VALVE, BALL 3-WAY 1/8FP
- 9 50-501663.....WASHER, SPACER
- 10 11-800105.....NIP, 1/8 CLOSE
- 11 15-808106.....VALVE, METERING 1/8FP (CHEMICAL)
- 12 12-800065.....CONN, 1/8Px1/4T
- 13 10-805288.....HOSE, 3/16x17"
- 14 10-805312.....HOSE, 3/16x49"
- 15 12-800040.....ELL, 1/8Px1/4T
- 16 09-805421.....HOSE, BRAID 5/16x54"
- 16a 09-805088.....HOSE, BRAID 5/16x64" (if console is mounted on water tank)
- 17 41-809144.....PUMP, CHEMICAL
- 18 52-809125.....ADAPTER, CHEMICAL PUMP
- 19 14-806506.....STRAINER, SUC END 1/8FP
- 20 16-808237.....CAP, CHECK VALVE CHEMICAL PUMP
- 21 43-810079.....O-RING, 7/8IDx1-1/16OD
- 22 42-809265.....CHECK VALVE, CHEMICAL PUMP
- 23 42-809358.....BODY, CHEMICAL PUMP
- 24 42-809264.....DISK, CHEMICAL PUMP
- 25 42-809047.....DIAPHRAGM, CHEMICAL PUMP
- 26 42-809045.....COVER, CHEMICAL PUMP

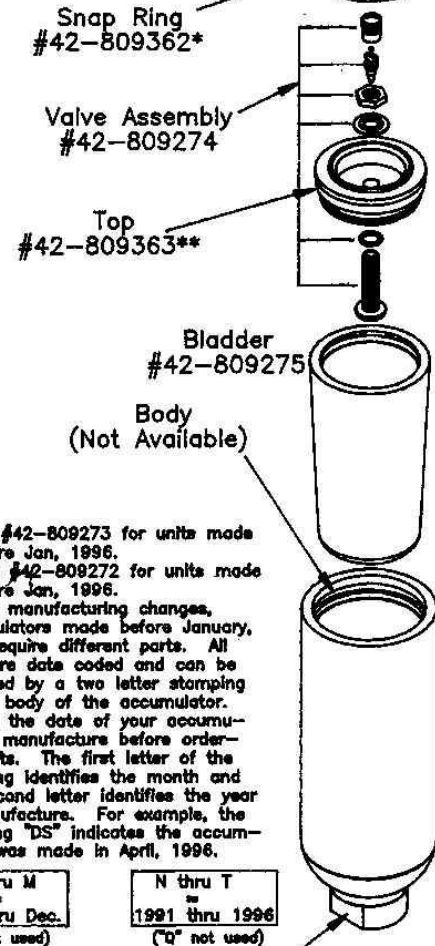


## SOLUTION OUTLET ASSEMBLY

(See Previous Page for Part Illustrations)

- 1 11-800101.....PLUG, 1/8
- 2 12-800040.....ELL, 1/8Px1/4T
- 3 10-805458.....HOSE, 3/16x40"
- 4 02-000066.....FLAT WASHER, 1/4
- 5 02-000038.....LOCK WASHER, 1/4
- 6 00-000132.....SCREW, 1/4-20x1-1/2"
- 7 11-800342.....CONN, 1/2Px1/2FP
- 8 12-800391.....UNION, CAPILLARY
- 9 35-900182.....CONTROL, TEMPERATURE
- 10 12-800065.....CONN, 1/8Px1/4T
- 11 10-805205.....HOSE, 3/16x15-1/8"
- 12 12-800329.....CONN, 1/4Px1/2T SST
- 13 11-800047.....ELL, 1/4
- 14 13-806001.....DSC, 1/4Fx1/4FP
- 15 10-805383.....HOSE, 1/2x16"
- 16 12-800282.....CONN, 3/8Px1/2T
- 17 11-800276.....ELL, 3/8
- 18 01-000037.....NUT, 1/4-20 HXHD
- 19 56-501910.....BRKT, SOL OUTL MTG
- 20 00-000122.....SCREW, 1/4-20x1-3/4"
- 21 15-808095.....ASSY, CHK VLV MNFLD  
(Includes Parts 22-25)
- 22 52-501621.....MANIFOLD, CHECK VLV
- 23 14-806549.....SCREEN, CHK VLV MNFLD  
(Includes O-ring)
- 24 43-810053.....O-RING, .676IDx.816OD
- 25 15-808094.....VALVE, CHECK
- 26 11-800429.....NIP, HEX 3/8 SST
- 27 52-501683.....MANIFOLD, THERMOSTAT
- 28 34-903019.....SENDER, TEMPERATURE
- 29 56-501977.....BRKT, THERMOSTAT MTG
- 30 10-805376.....HOSE, 1/2x14-1/2"
- 31 52-501680.....FITTING, SNSR SUPPORT

### #41-809119 ACCUMULATOR DETAIL



\* Use #42-809273 for units made before Jan, 1996.  
 \*\* Use #42-809272 for units made before Jan, 1996.

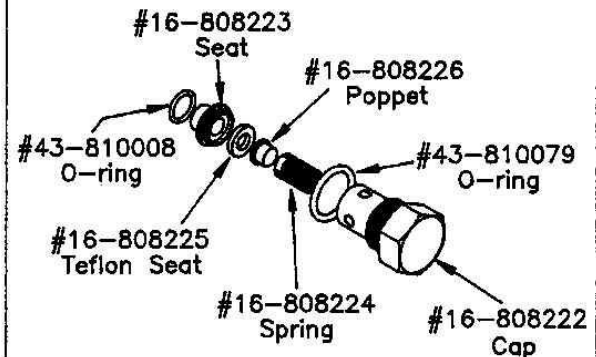
Due to manufacturing changes, accumulators made before January, 1996 require different parts. All units are date coded and can be identified by a two letter stamping on the body of the accumulator. Identify the date of your accumulator's manufacture before ordering parts. The first letter of the stamping identifies the month and the second letter identifies the year of manufacture. For example, the stamping "DS" indicates the accumulator was made in April, 1996.

A thru M
Jan. thru Dec.
(T not used)

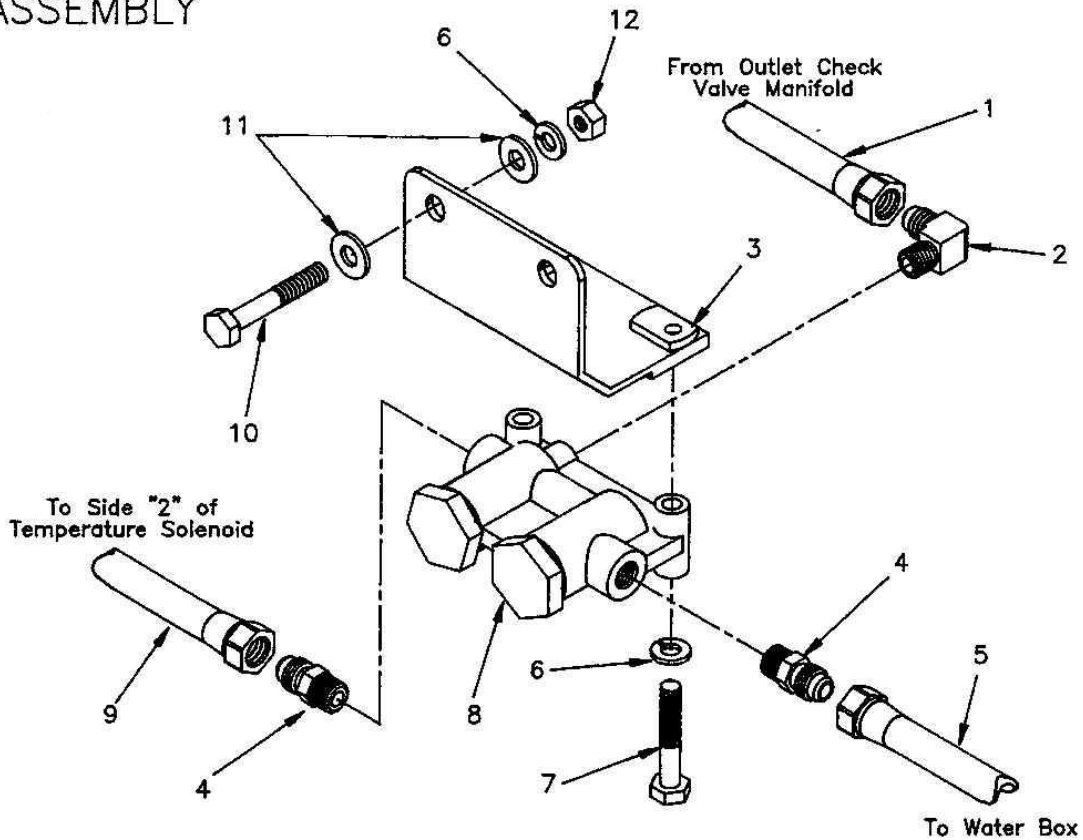
N thru T
1991 thru 1996
(Q not used)

Identifying Mark will be Stamped Here

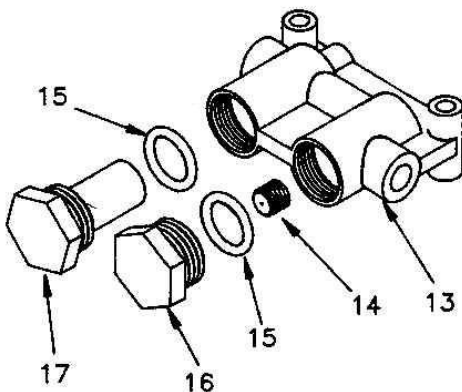
### #15-808094 SOLUTION OUTLET CHECK VALVE DETAIL



# BYPASS MANIFOLD ASSEMBLY



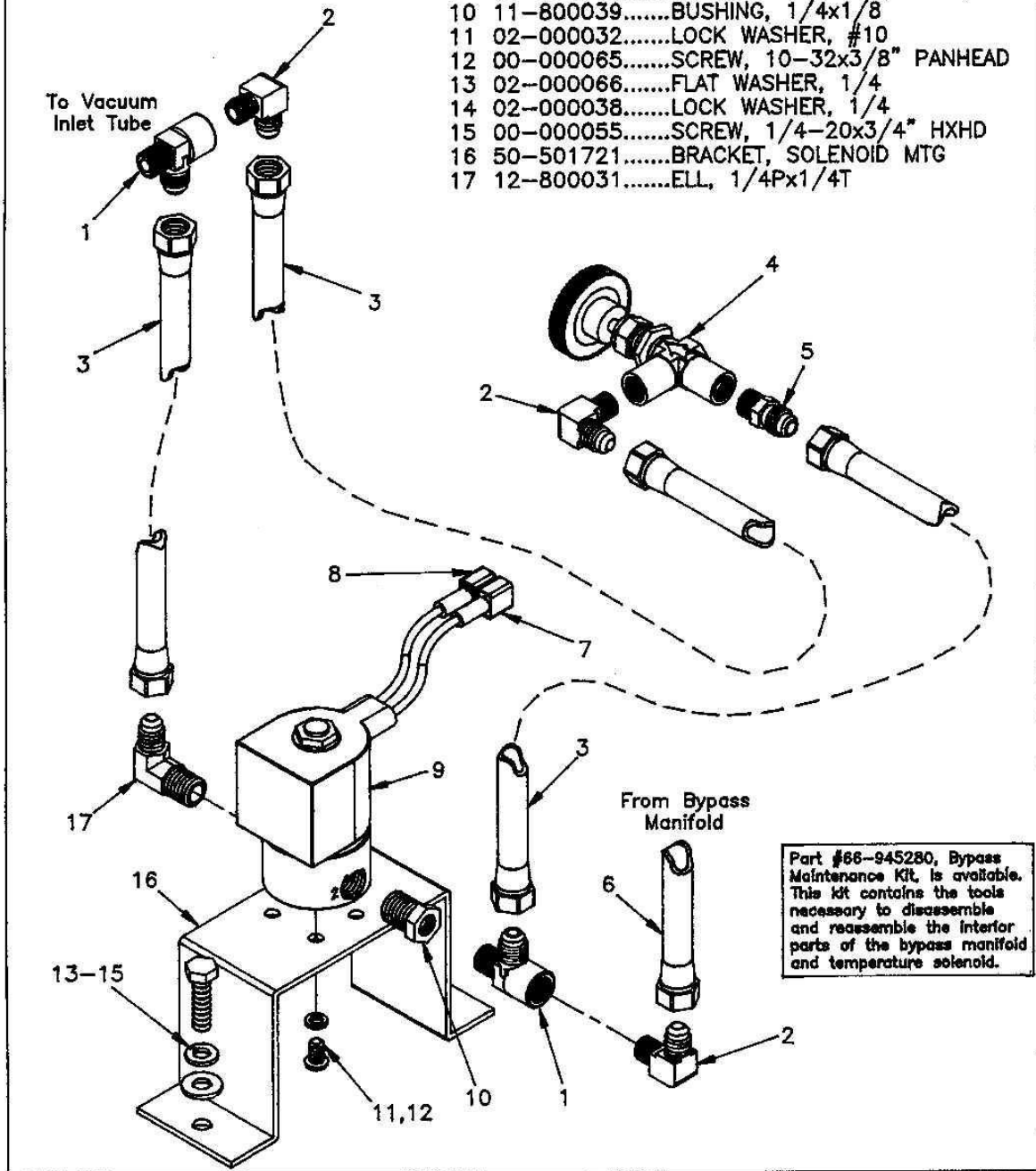
## #15-808111 BYPASS MANIFOLD DETAIL

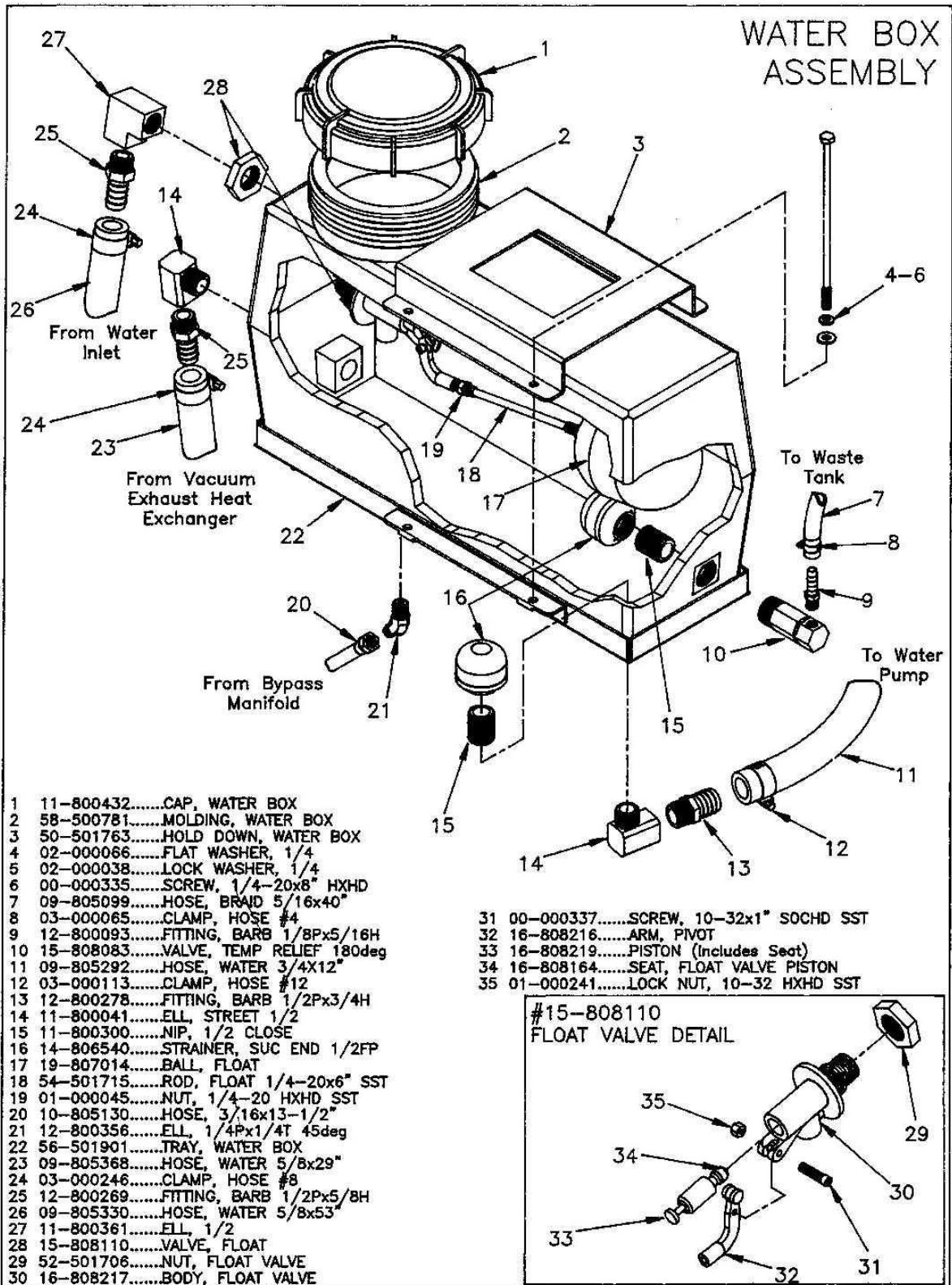


- |    |                                     |
|----|-------------------------------------|
| 1  | 10-805300.....HOSE, 3/16x45-1/2"    |
| 2  | 12-800040.....ELL, 1/8Px1/4T        |
| 3  | 56-501906.....BRACKET, BYPASS MTG   |
| 4  | 12-800065.....CONN, 1/8Px1/4T       |
| 5  | 10-805130.....HOSE, 3/16x13-1/2"    |
| 6  | 02-000038.....LOCK WASHER, 1/4      |
| 7  | 00-000132.....SCR, 1/4-20x1-1/2"    |
| 8  | 15-808111.....ASSY, BYPASS MANIFOLD |
| 9  | 10-805204.....HOSE, 3/16x23"        |
| 10 | 00-000122.....SCR, 1/4-20x1-3/4"    |
| 11 | 02-000066.....FLAT WASHER, 1/4      |
| 12 | 01-000037.....NUT, 1/4-20 HXHD      |
| 13 | 52-501659.....MANIFOLD, BYPASS      |
| 14 | 52-501665.....ORIFICE, BYPASS BLUE  |
| 15 | 43-810053.....O-RING, .676IDx.816OD |
| 16 | 53-501523.....CAP, CHECK VLV MNFLD  |
| 17 | 14-806552.....SCREEN, BYPASS MNFLD  |

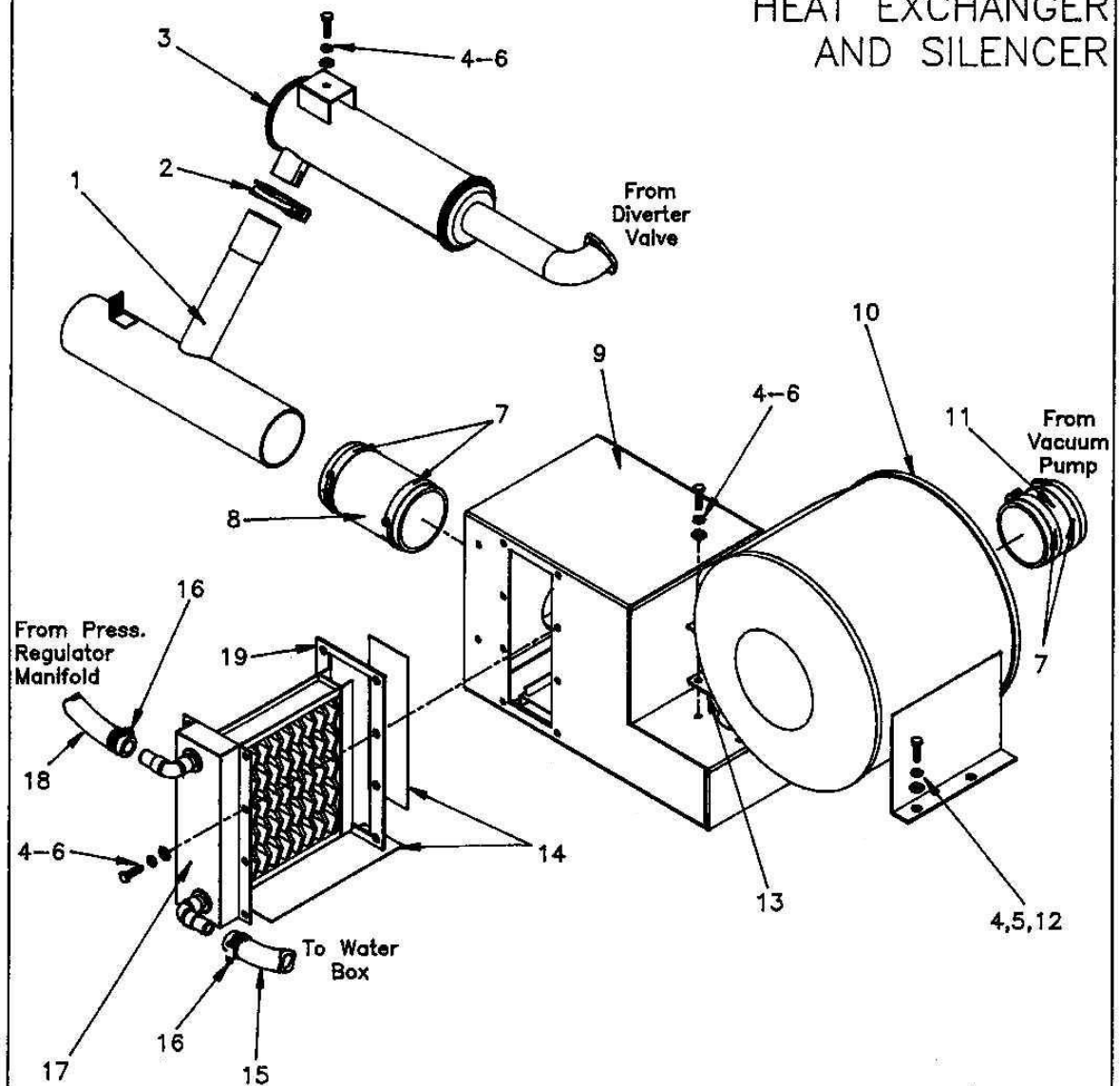
# TEMPERATURE SOLENOID & BYPASS VALVE ASSEMBLY

- 1 12-800088.....TEE, ADAPT 1/8FPx1/8Pp1/4T
- 2 12-800040.....ELL, 1/8Pp1/4T
- 3 10-805311.....HOSE, 3/16x10-1/2"
- 4 15-808107.....VALVE, METER 1/8FP (BYPASS)
- 5 12-800065.....CONN, 1/8Pp1/4T
- 6 10-805204.....HOSE, 3/16x23"
- 7 31-900028.....TERMINAL, INS DSC 1/4M
- 8 31-900027.....TERMINAL, INS DSC 1/4F
- 9 15-808105.....VALVE, SOLENOID 1/4FPx1/4FP
- 10 11-800039.....BUSHING, 1/4x1/8
- 11 02-000032.....LOCK WASHER, #10
- 12 00-000065.....SCREW, 10-32x3/8" PANHEAD
- 13 02-000066.....FLAT WASHER, 1/4
- 14 02-000038.....LOCK WASHER, 1/4
- 15 00-000055.....SCREW, 1/4-20x3/4" HXHD
- 16 50-501721.....BRACKET, SOLENOID MTG
- 17 12-800031.....ELL, 1/4Pp1/4T





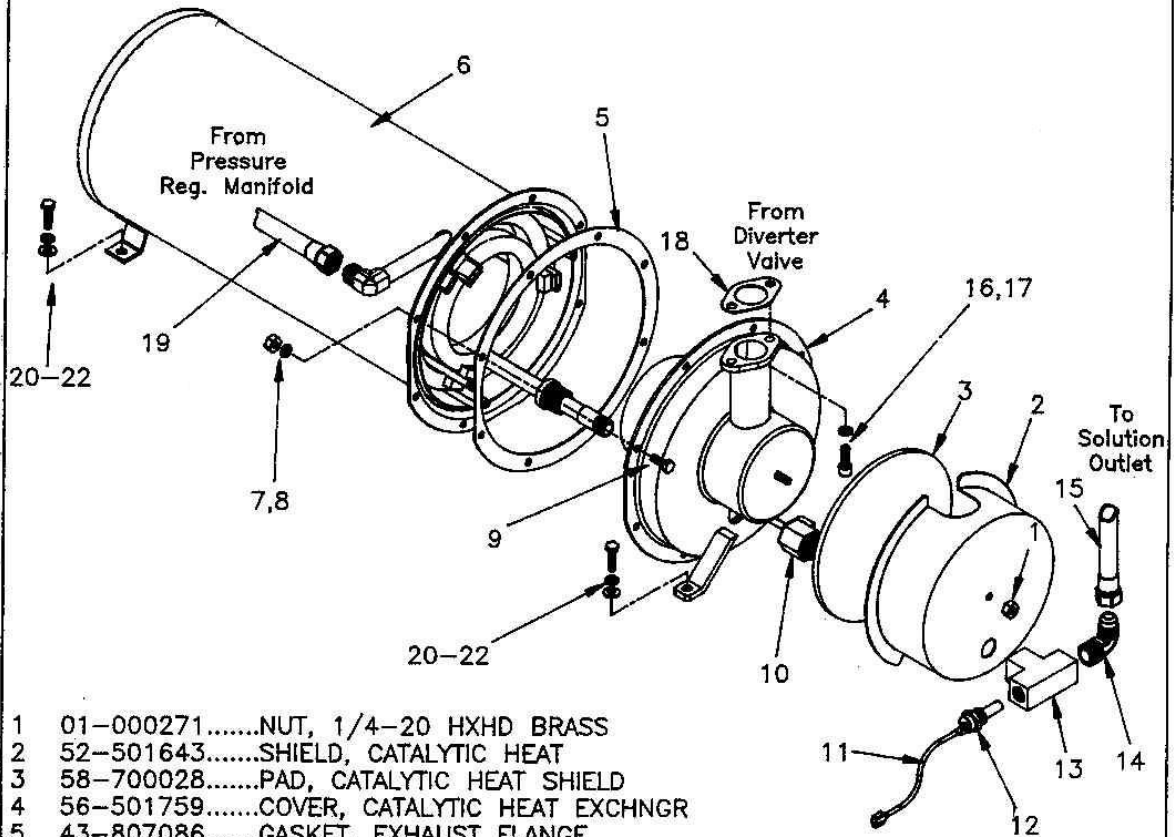
# VACUUM EXHAUST HEAT EXCHANGER AND SILENCER



- |    |                                     |    |                                     |
|----|-------------------------------------|----|-------------------------------------|
| 1  | 56-501928.....ASSY, EXHAUST OUT TB  | 11 | 09-805478.....HOS, VAC 2-7/8x2-1/2" |
| 2  | 03-000081.....CLAMP, MUFF 1-1/2"    | 12 | 00-000078.....SCREW, 1/4-20x1" GR8  |
| 3  | 57-520099.....MUFFLER, ENG EXH      | 13 | 43-807080.....GASKET, VAC HE INLET  |
| 4  | 02-000066.....FLAT WASHER, 1/4      | 14 | 58-700027.....PAD, VAC HE CORE      |
| 5  | 02-000038.....LOCK WASHER, 1/4      | 15 | 09-805368.....HOSE, WATER 5/8x29"   |
| 6  | 00-000055.....SCREW, 1/4-20x3/4"    | 16 | 03-000246.....CLAMP, HOSE #8        |
| 7  | 03-000112.....CLAMP, HOSE #48       | 17 | 61-950696.....ASSY, VAC HE COVER    |
| 8  | 09-805376.....HOS, INT VAC 2-7/8x5" | 18 | 09-805384.....HOSE, WATER 5/8x16"   |
| 9  | 56-501892.....HOUSING, VAC HE       | 19 | 43-807081.....GASKET, VAC HE CORE   |
| 10 | 57-520082.....MUFFLER, VACUUM       |    |                                     |

# ENGINE EXHAUST HEAT EXCHANGER

CATALYTIC ASSEMBLY #61-950628 (Includes Parts 1-14)

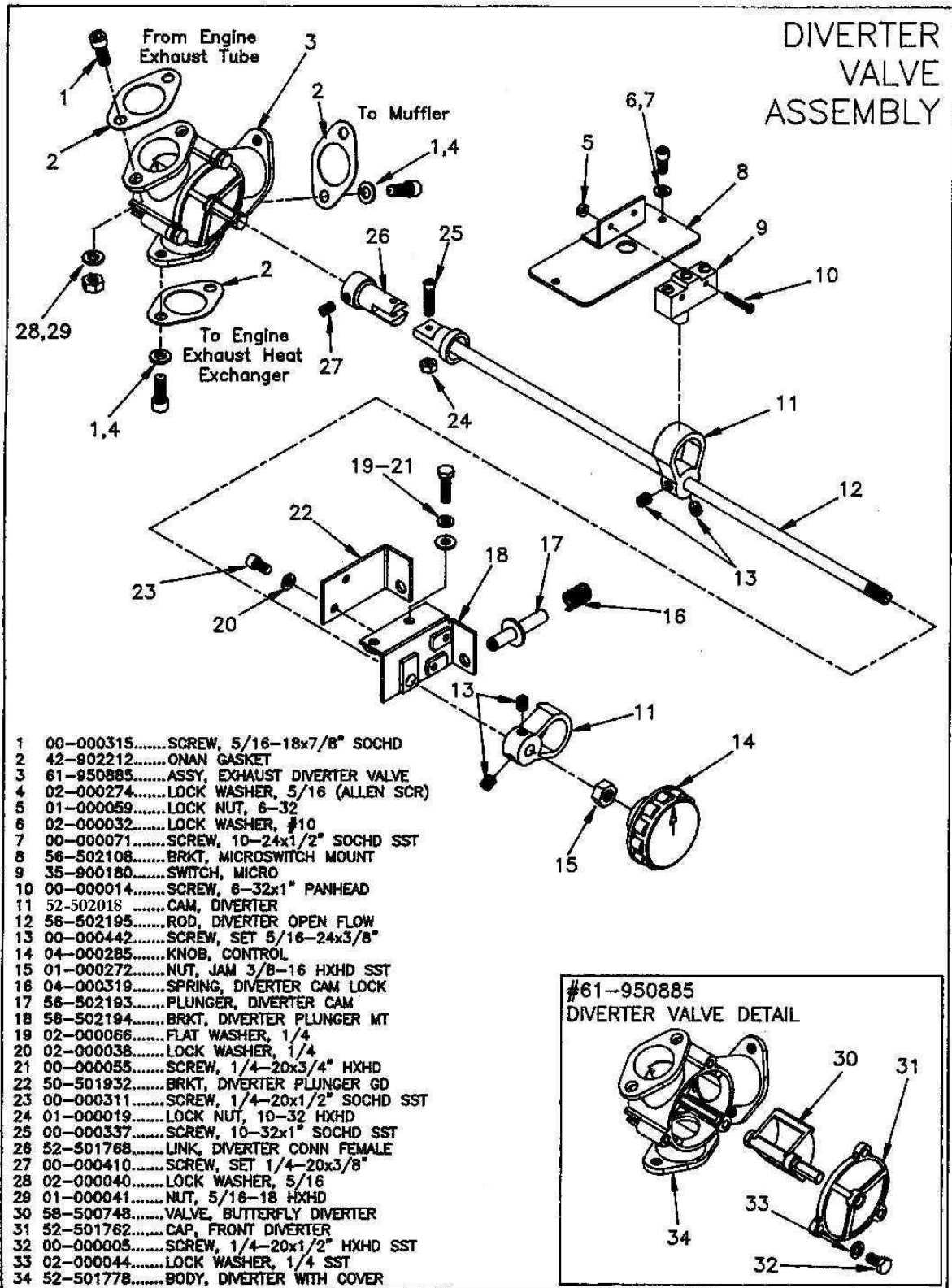


- 1 01-000271.....NUT, 1/4-20 HXHD BRASS
- 2 52-501643.....SHIELD, CATALYTIC HEAT
- 3 58-700028.....PAD, CATALYTIC HEAT SHIELD
- 4 56-501759.....COVER, CATALYTIC HEAT EXCHNGR
- 5 43-807086.....GASKET, EXHAUST FLANGE
- 6 57-520074.....ASSEMBLY, COIL MOUNT & CASING
- 7 01-000045.....NUT, 1/4-20 HXHD SST
- 8 02-000044.....LOCK WASHER, 1/4 SST
- 9 00-000019.....SCREW, 1/4-20 HXHD SST
- 10 52-501654.....NUT, ADAPTER BUSHING
- 11 64-950546.....ASSEMBLY, HI TEMP SHUTOFF WIRE
- 12 35-900184.....SENSOR, TEMPERATURE 285deg
- 13 52-501671.....FITTING, TEMP SENSOR ADAPTER
- 14 12-800171.....ELL, 1/2Px1/2T
- 15 10-805376.....HOSE, 1/2x14-1/2" (1/2FT BS) SST
- 16 02-000274.....LOCK WASHER, 5/16 (Allen screw)
- 17 00-000315.....SCREW, 5/16-18x7/8" SOCHD
- 18 42-902212.....ONAN GASKET, EXHAUST
- 19 10-805275.....HOSE, 1/2x19" (1/2FT BS)
- 20 02-000066.....FLAT WASHER, 1/4
- 21 02-000038.....LOCK WASHER, 1/4
- 22 00-000078.....SCREW, 1/4-20x1" HXHD GR8

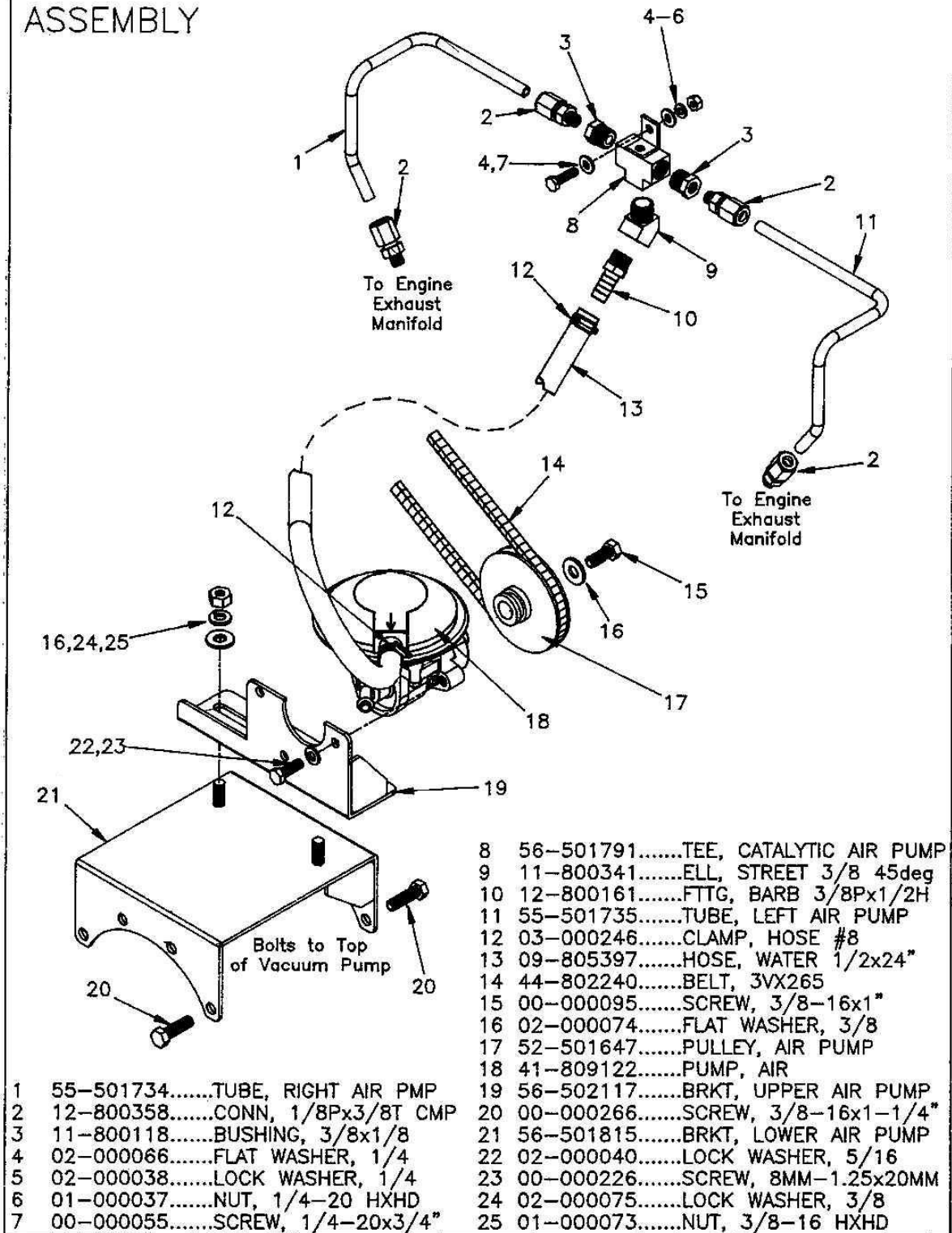
NOT SHOWN

- 66-945532.....KIT, EXHAUST HEAT EXCHANGER CORE  
(Includes Parts 3,5,6, and 18)

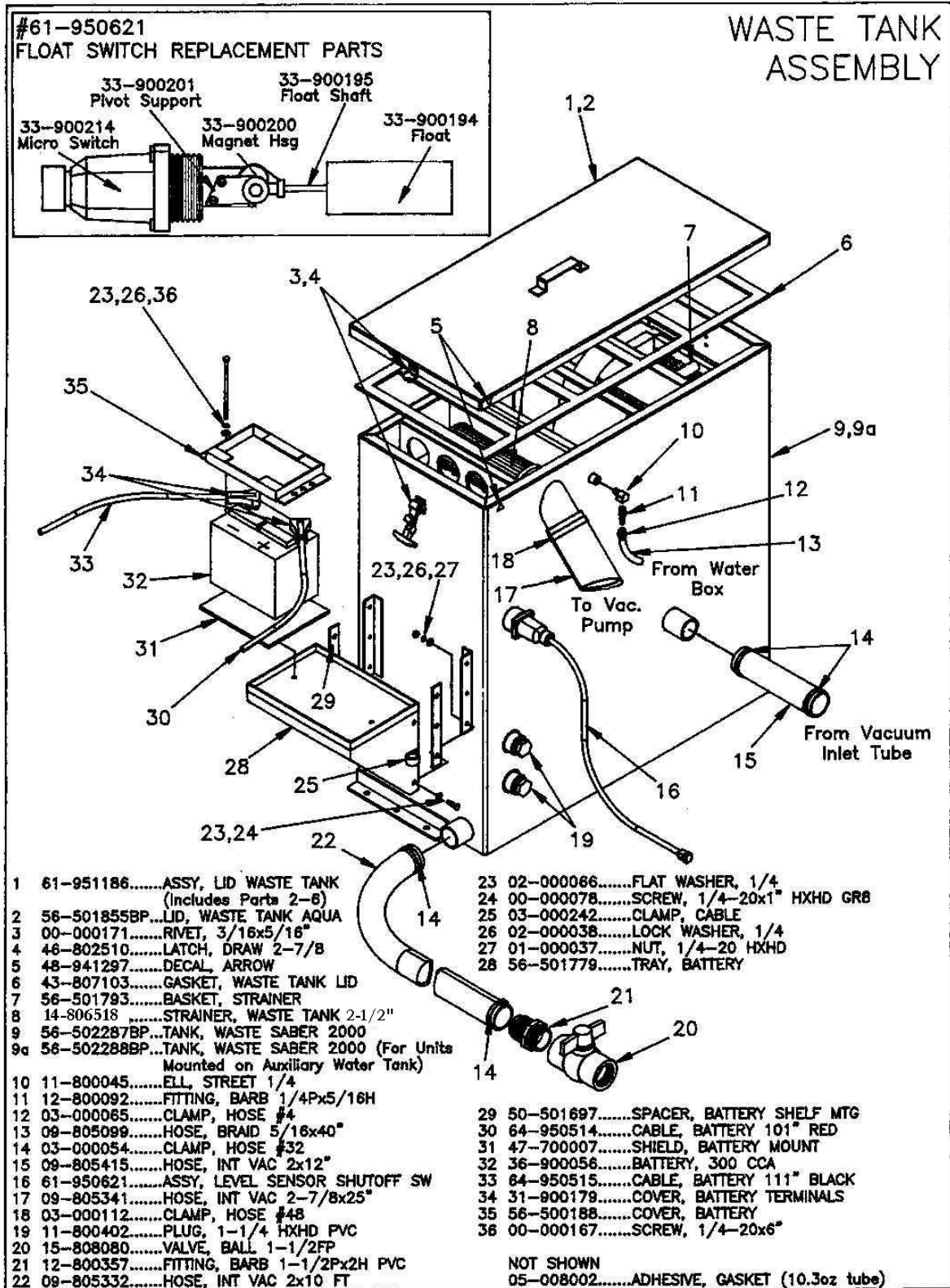




# AIR PUMP ASSEMBLY



- |   |                                   |    |                                       |
|---|-----------------------------------|----|---------------------------------------|
| 1 | 55-501734.....TUBE, RIGHT AIR PMP | 8  | 56-501791.....TEE, CATALYTIC AIR PUMP |
| 2 | 12-800358.....CONN, 1/8Px3/8T CMP | 9  | 11-800341.....ELL, STREET 3/8 45deg   |
| 3 | 11-800118.....BUSHING, 3/8x1/8    | 10 | 12-800161.....FTTG, BARB 3/8Px1/2H    |
| 4 | 02-000066.....FLAT WASHER, 1/4    | 11 | 55-501735.....TUBE, LEFT AIR PUMP     |
| 5 | 02-000038.....LOCK WASHER, 1/4    | 12 | 03-000246.....CLAMP, HOSE #8          |
| 6 | 01-000037.....NUT, 1/4-20 HXHD    | 13 | 09-805397.....HOSE, WATER 1/2x24"     |
| 7 | 00-000055.....SCREW, 1/4-20x3/4"  | 14 | 44-802240.....BELT, 3VX265            |
|   |                                   | 15 | 00-000095.....SCREW, 3/8-16x1"        |
|   |                                   | 16 | 02-000074.....FLAT WASHER, 3/8        |
|   |                                   | 17 | 52-501647.....PULLEY, AIR PUMP        |
|   |                                   | 18 | 41-809122.....PUMP, AIR               |
|   |                                   | 19 | 56-502117.....BRKT, UPPER AIR PUMP    |
|   |                                   | 20 | 00-000266.....SCREW, 3/8-16x1-1/4"    |
|   |                                   | 21 | 56-501815.....BRKT, LOWER AIR PUMP    |
|   |                                   | 22 | 02-000040.....LOCK WASHER, 5/16       |
|   |                                   | 23 | 00-000226.....SCREW, 8MM-1.25x20MM    |
|   |                                   | 24 | 02-000075.....LOCK WASHER, 3/8        |
|   |                                   | 25 | 01-000073.....NUT, 3/8-16 HXHD        |



**INNER  
DETAIL**

**WASTE PUMP  
#66-945193  
OLD STYLE**

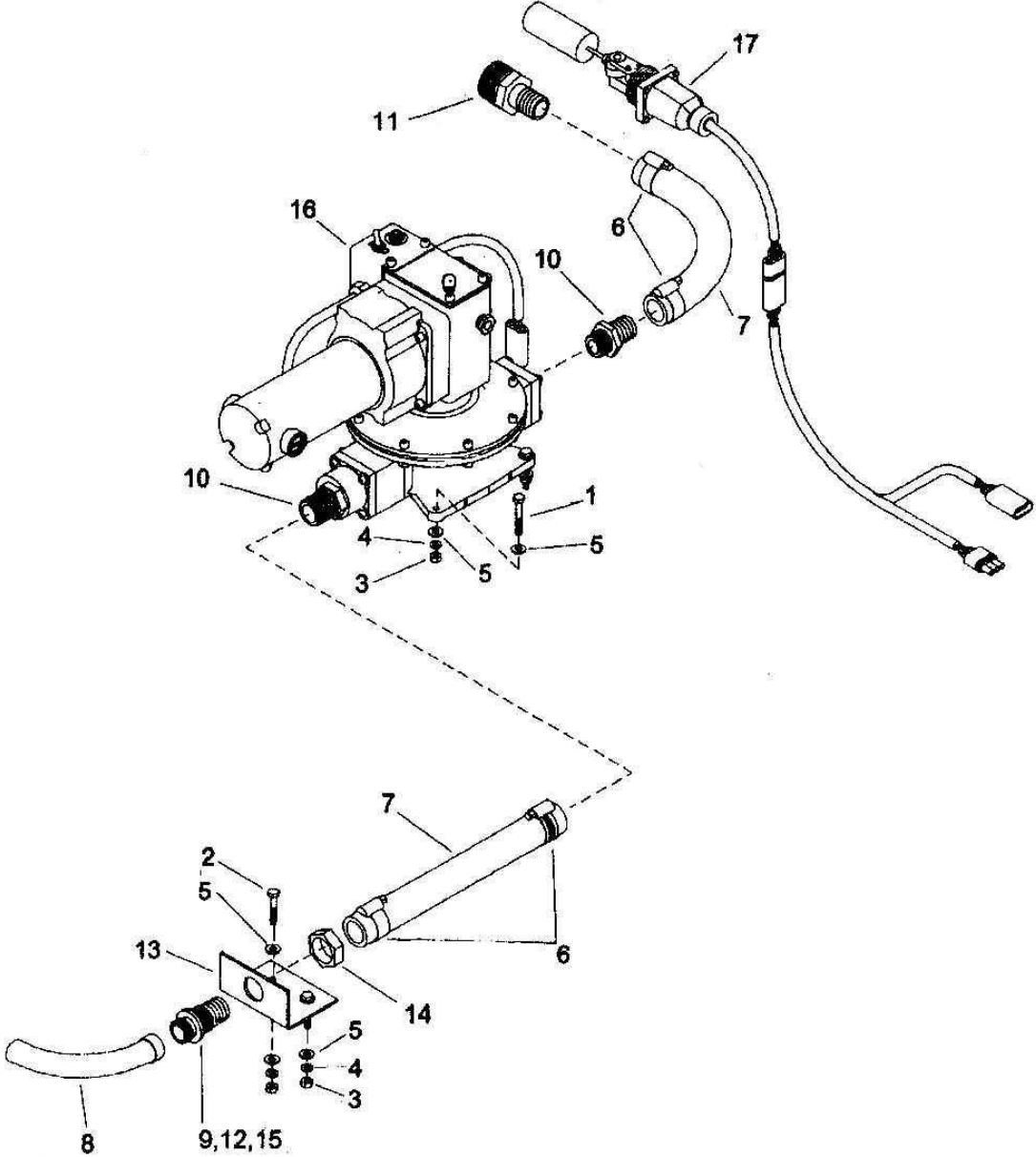
From Cord: BLK-, WHT+, GRY-  
From Pump: BLK-, BRN+

31-900200 Conn, Butt w/Ht Shrink

From Pump Switch

<p>1 01-000188..... LOCK NUT, 10-24 2 00-000071..... SCR, 10-24x1/2" (Not Shown) 3 41-809128..... PUMP, BILGE RULE 4 42-809267..... BASKET, STRNR (Part of #3) 5 09-805563..... TUBE, HT SHRINK 3/4x7" 6 31-900194..... CONN, CORD STRAIN REL 7 12-800095..... FTG, BARB 3/4Px3/4H 8 11-800434..... ELL, 3/4 45deg 9 01-000119..... LOCK NUT, 3/4NPT 10 11-800419..... NIP, 3/4x6-5/8" PVC 11 52-501666..... SEAT, 1.00-20x1/2P 12 04-000291..... BALL, NYLON 3/4dia 13 04-000290..... PIN, 3/16x1-3/8" 14 52-501662..... BODY, WASTE PUMP VLV 15 15-808101..... ASSY, WASTE PUMP VLV (Includes Parts 11-14) 16 08-805262..... CUFF, WASTE PUMP 17 03-000110..... CLAMP, HOSE #24 18 00-000317..... SCREW, 10-32x1-1/4" 19 32-900183..... SWITCH, PUMP RULE 20 01-000241..... LOCK NUT, 10-32 21 50-501730..... SPACER, WASTE PUMP 22 03-000113..... CLAMP, HOSE #12 23 09-805436..... HOSE, WATER 3/4x21" 24 31-900197..... CONN, WASTE PUMP F 25 12-800370..... CONN, 3/4SWVx3/4BARB 26 12-800051..... CONN, 1/2Px3/4H 27 52-501651..... NUT, HOS&amp;CD FITTING 28 43-807092..... SEAL, WASTE PUMP 29 31-900198..... CONN, WASTE PUMP M</p>	<p>30 52-501649..... FTG, CORD WASTE PUMP 31 12-800278..... FTG, BARB 1/2Px3/4H 32 09-805320..... HOSE, WATER 3/4x85" 33 15-808065..... VALVE, SWING CHECK 3/4FP 34 00-000078..... SCREW, 1/4-20x1" GR8 35 02-000038..... LOCK WASHER, 1/4 36 02-000066..... FLAT WASHER, 1/4 37 56-501794..... BRKT, OUTL WST PMP 38 12-800360..... CONN, 3/4FxHOSE CONN 39 12-800052..... CAP, HOSE 3/4 40 64-950541..... ASSY, WASTE PUMP CORD (Includes Parts 6 and 27-30) 41 58-500643..... MOLDING, WASTE PUMP 42 00-000210..... SCREW, 1/4-20x3/4" 43 01-000023..... LOCK NUT, 1/4-20 44 50-501708..... GUIDE, STRAINER 45 14-806550..... STRAINER, WASTE PUMP 46 43-807008..... WASHER, HOSE 5/8IDx1"OD 47 66-950412..... ASSY, OUTL WST PMP (Parts 7,33,37-39, and 46)</p>
--	---

**AUTOMATIC PUMPOUT-OPTIONAL**  
**NEW STYLE**

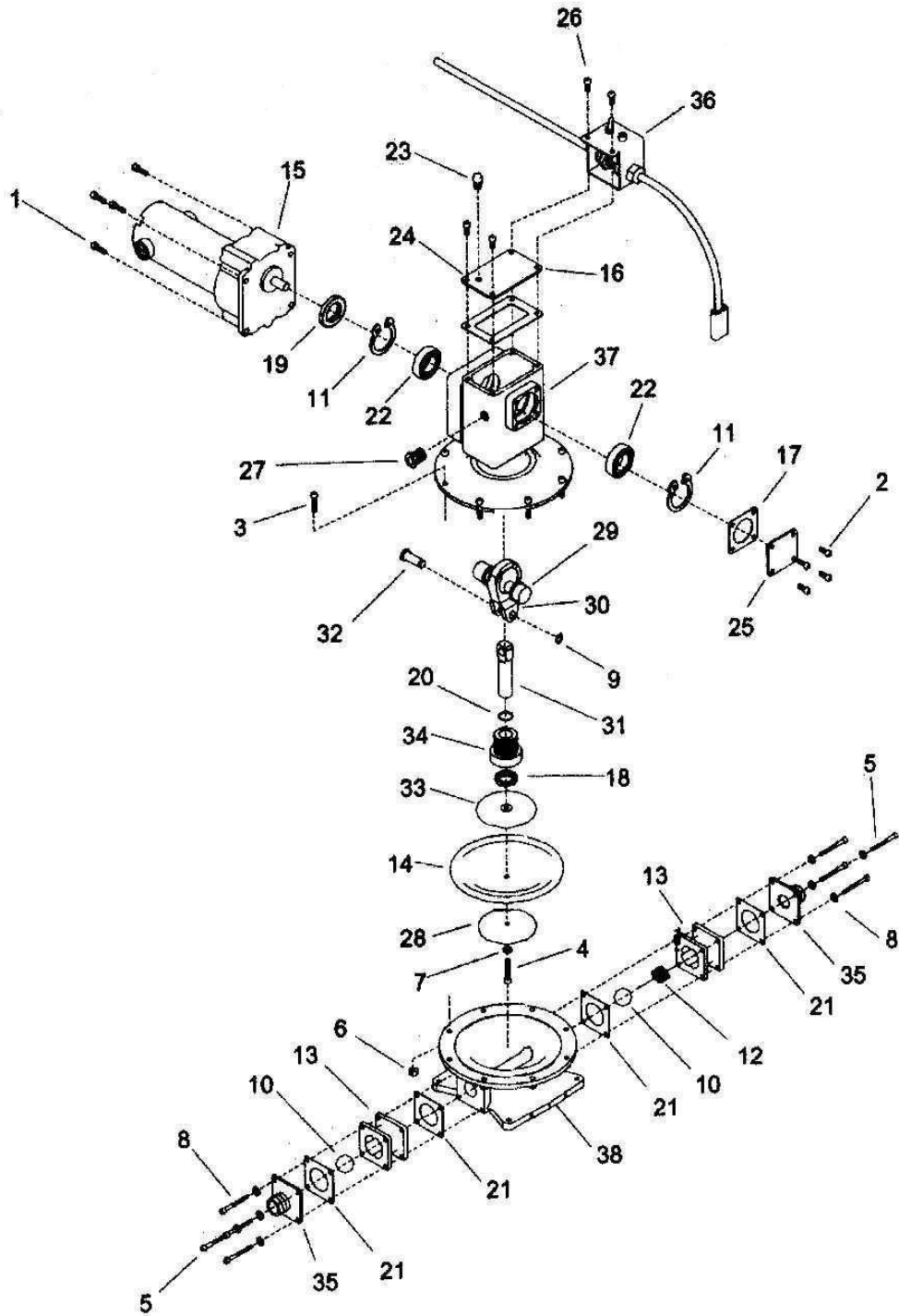


**Saber 2000**

**AUTOMATIC PUMPOUT-OPTIONAL  
NEW STYLE**

REF	PART NO.	QTY	DESCRIPTION	SERIAL NO. FROM	NOTES:
1	70105	4	SCR, M4 X 60 PH		
2	00-000132	2	SCR, 1/4-20 X 1/ 1/2 HXHD		
3	57006	4	NUT, 1/4-20 HEX		
4	87162	4	WASHER, 1/4 SPLIT LOCK PLTD		
5	02-000068	4	FLATWASHER, 1/4		
6	03-000176	4	CLAMP, HOSE #16		
7	09-805591	1	HOSE, WASTE PUMP 1" X 8'		
8	10-805484	1	HOSE, GARDEN 3/4 X 75'		
9	12-800052	1	CAP, HOSE 3/4 BR		
10	12-800367	1	FTTG, BRB 1PX1H BR		
11	12-800444	1	FTTG, 1-1/4P X 1" H BR		
12	43-807008	1	WASHER, HOSE 5/8 ID 1" OD		
13	50-502055	1	BRKT, CTR HOOD FR		
14	52-000123	1	NUT, 1-3/16-12 UN HXHD		
15	52-501993	1	CONN, HOSE WATER QUTL		
16	61-951306	1	PUMP, HD AUTO		
17	61-951319	1	ASSY, LVL SENS SHUT OFF SW		

**AUTOMATIC PUMPOUT-OPTIONAL**  
**NEW STYLE**



**Saber 2000**

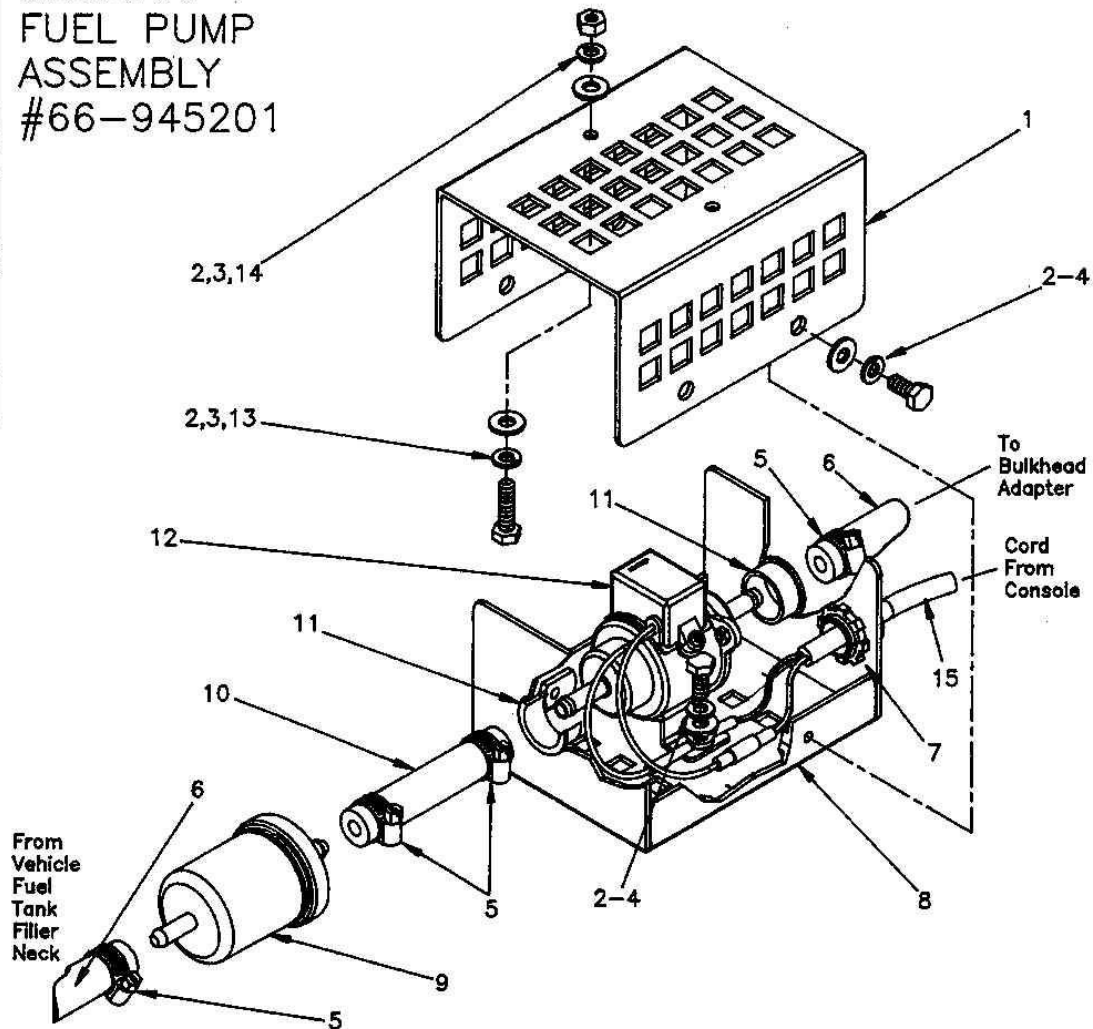
**AUTOMATIC PUMPOUT-OPTIONAL  
NEW STYLE**

REF	PART NO.	QTY	DESCRIPTION	SERIAL NO. FROM	NOTES:
1	00-000210	4	SCR, 1/4-20 X 3/4 SOCHD		
2	00-000311	4	SCR, 1/4-20 X 1/2 SHCS SS		
3	00-000312	8	SCR, CAP 1/4 X 1 SOCHD		
4	00-000399	1	SCR, CAP 1/4 X 1 3/8 SOC		
5	00-000241	8	SCR, CAP 10-32 X 2 SOCHD SS		
6	57245	8	NUT, 1/4-20 HEX NYLOCK SS		
7	87162	1	WASHER, 1/4 SPLIT LOCK		
8	87165	8	WASHER, #10 SPLIT LOCK		
9	04-000312	1	RING, RETAIN EXT 1/2		
10	04-000334	2	BALL, NYL ID		
11	04-000336	2	RING, SNAP 1-7/8D		
12	04-000342	1	SPRING, PUMP-OUT BALL PRESS		
13	52-501822	2	INL, HOSE CONN WST TNK		
14	16-808241	1	DIAPH, WST TNK PMP-OUT		
15	40-502151	1	MOTOR, 1/8HP 12V		
16	43-807117	1	GSKT, CVR TOP PMP-OUT		
17	43-807118	1	GSKT, CVR SD PMP-OUT		
18	43-810091	1	SEAL, PUMPOUT SHFT		
19	43-810100	1	SEAL PUMPOUT CAM		
20	43-810101	1	O-RING, 800/1000 .072		
21	43-807116	2	GSKT, IN/OUTLT WST TNK-PM		
22	45-801927	4	BRG, SHFT PUMP-OUT		
23	49-876301	1	VENT, UPR SHFT BRNG HSG		
24	50-502025	1	PL, CVR TOP PUMP-OUT		
25	50-502026	1	PL, CVR SD PUMP-OUT		
26	00-000311	2	SCR, 1/4-20 X 1/2 SHCS SS		
27	11-800504	1	GA, FLOW SIGHT 3/8 NPT		
28	52-501828	1	BTM, PLNGR WST TNK PMP-OUT		
29	52-501829	1	SHT, 3/4" STROKE WST TNK		
30	52-501914	1	RD, CONNECT WST PMP-OUT		
31	52-501915	1	GUIDE, PLNGR WST PUMP-OUT		
32	52-501921	1	PIN, WRIST PUMP-OUT		
33	52-501934	1	TOP, PLNGR PUMP-OUT		
34	52-501950	1	BUSH, THREADED		
35	52-501822	2	INL, HOSE CONN WST TNK		
36	56-502426	1	BRKT, PMP-OUT SW/CCT BRKR		
37	52-501821	1	TOP, WST TNK PUMP-OUT		
38	52-501820	1	BASE, WST TANK PMP-OUT		

**Saber 2000**

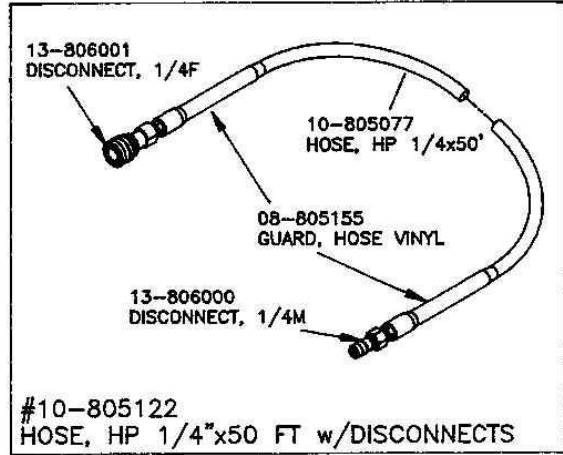
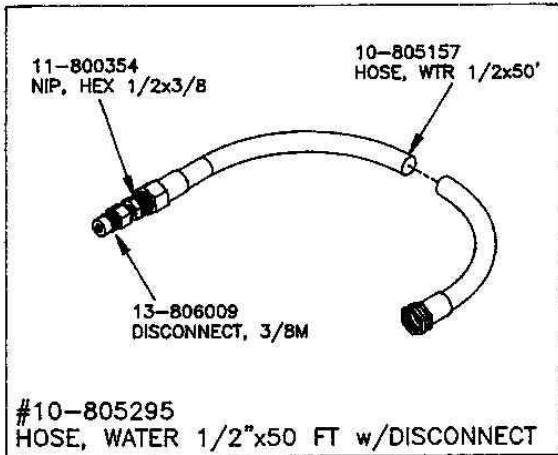
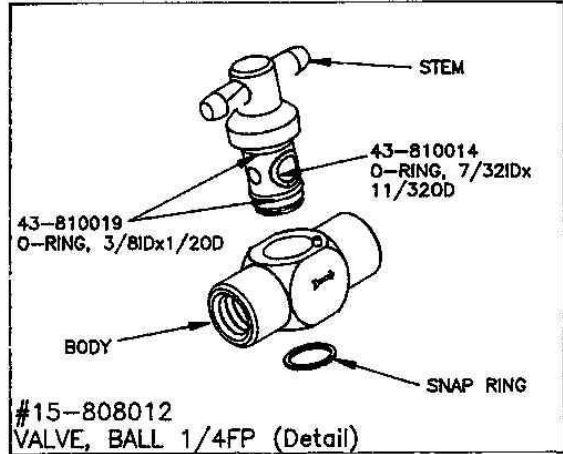
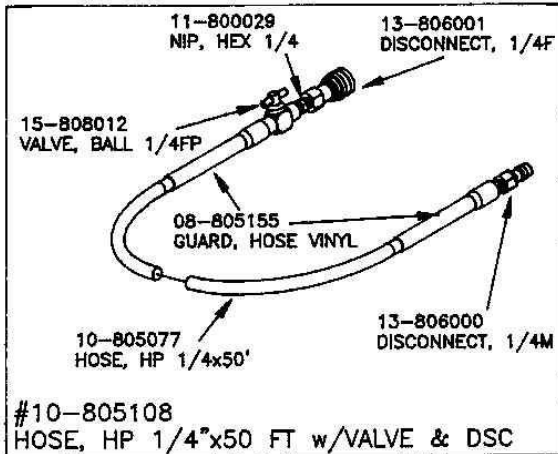
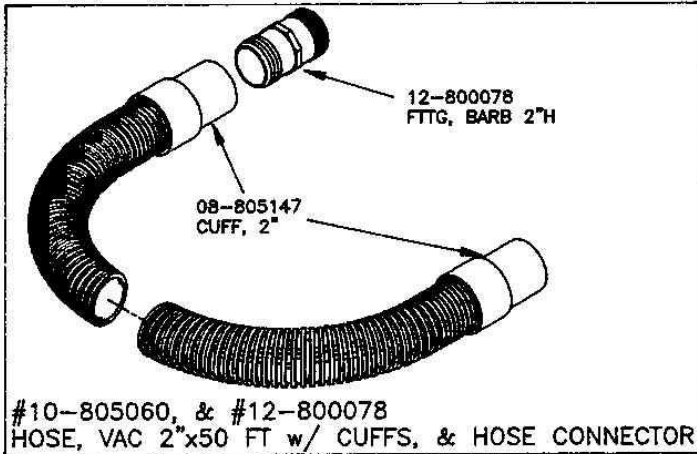


EXTERNAL  
ELECTRIC  
FUEL PUMP  
ASSEMBLY  
#66-945201



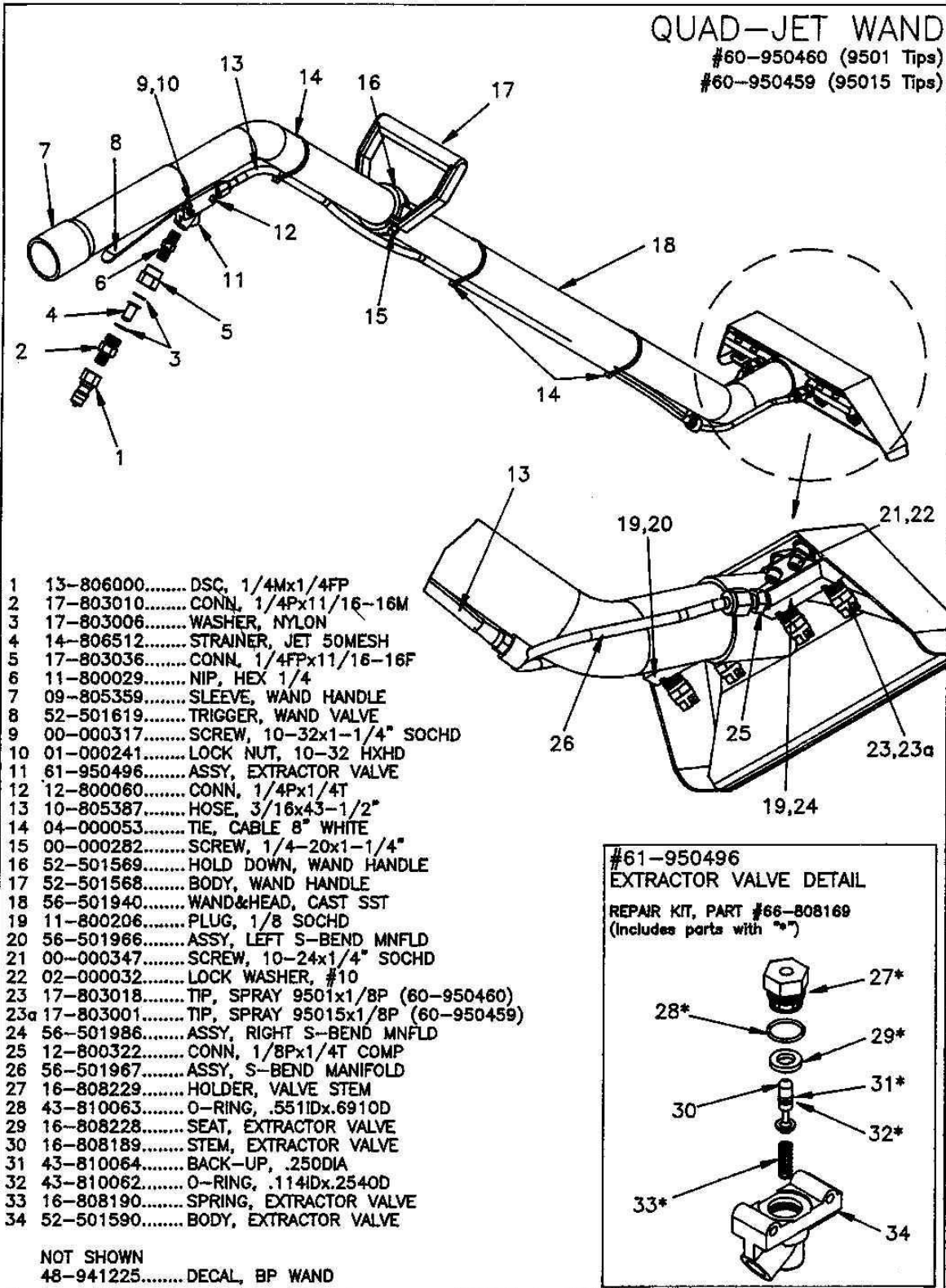
- 1 50-501739.....COVER, FUEL PUMP BRACKET
- 2 02-000066.....FLAT WASHER, 1/4
- 3 02-000038.....LOCK WASHER, 1/4
- 4 00-000055.....SCREW, 1/4-20x3/4" HXHD
- 5 03-000254.....CLAMP, HOSE #6
- 6 09-805345.....HOSE, FUEL 5/16x15' ABRASION RESIST (cut to fit)
- 7 31-900017.....CONN, CORD 1/2
- 8 56-501880.....BRACKET, FUEL PUMP MTG
- 9 42-902311.....FUEL FILTER
- 10 09-805417.....HOSE, FUEL 5/16x3-1/2" ABRASION RESIST
- 11 31-900067.....BUSHING, SNAP
- 12 41-809132.....PUMP, FUEL
- 13 00-000078.....SCREW, 1/4-20x1" HXHD GR 8
- 14 01-000037.....NUT, 1/4-20 HXHD
- 15 64-950548.....CORD, FUEL PUMP

# HOSE ACCESSORIES



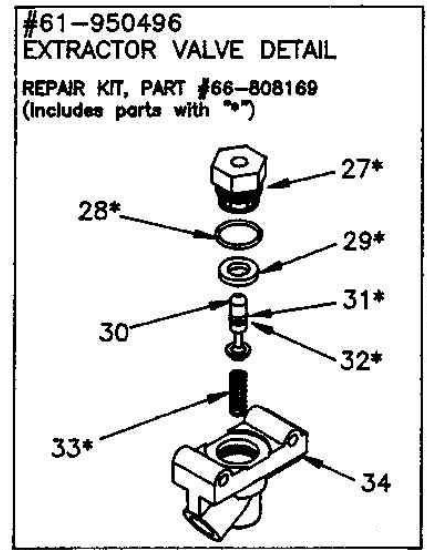
# QUAD-JET WAND

#60-950460 (9501 Tips)  
 #60-950459 (95015 Tips)



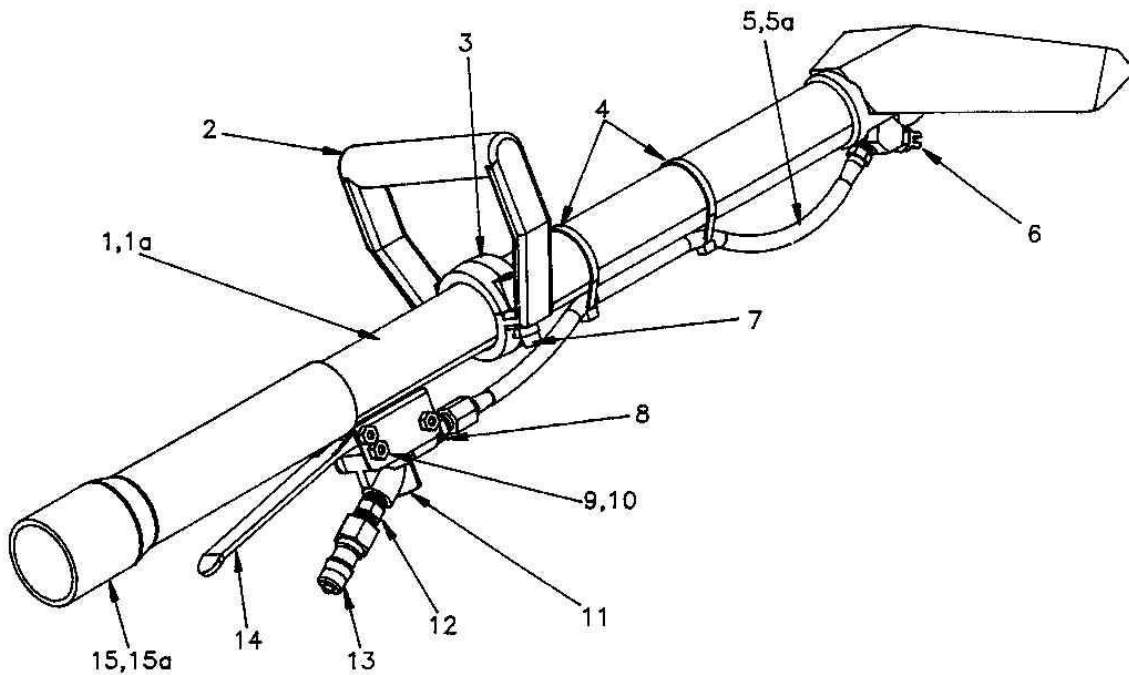
- 1 13-806000..... DSC, 1/4Mx1/4FP
- 2 17-803010..... CONN, 1/4Px11/16-16M
- 3 17-803006..... WASHER, NYLON
- 4 14-806512..... STRAINER, JET 50MESH
- 5 17-803036..... CONN, 1/4FPx11/16-16F
- 6 11-800029..... NIP, HEX 1/4
- 7 09-805359..... SLEEVE, WAND HANDLE
- 8 52-501619..... TRIGGER, WAND VALVE
- 9 00-000317..... SCREW, 10-32x1-1/4" SOCHD
- 10 01-000241..... LOCK NUT, 10-32 HXHD
- 11 61-950496..... ASSY, EXTRACTOR VALVE
- 12 12-800060..... CONN, 1/4Px1/4T
- 13 10-805387..... HOSE, 3/16x43-1/2"
- 14 04-000053..... TIE, CABLE 8" WHITE
- 15 00-000282..... SCREW, 1/4-20x1-1/4"
- 16 52-501569..... HOLD DOWN, WAND HANDLE
- 17 52-501568..... BODY, WAND HANDLE
- 18 56-501940..... WAND&HEAD, CAST SST
- 19 11-800206..... PLUG, 1/8 SOCHD
- 20 56-501966..... ASSY, LEFT S-BEND MNFLD
- 21 00-000347..... SCREW, 10-24x1/4" SOCHD
- 22 02-000032..... LOCK WASHER, #10
- 23 17-803018..... TIP, SPRAY 9501x1/8P (60-950460)
- 23a 17-803001..... TIP, SPRAY 95015x1/8P (60-950459)
- 24 56-501986..... ASSY, RIGHT S-BEND MNFLD
- 25 12-800322..... CONN, 1/8Px1/4T COMP
- 26 56-501967..... ASSY, S-BEND MANIFOLD
- 27 16-808229..... HOLDER, VALVE STEM
- 28 43-810063..... O-RING, .551IDx.691OD
- 29 16-808228..... SEAT, EXTRACTOR VALVE
- 30 16-808189..... STEM, EXTRACTOR VALVE
- 31 43-810064..... BACK-UP, .250DIA
- 32 43-810062..... O-RING, .114IDx.254OD
- 33 16-808190..... SPRING, EXTRACTOR VALVE
- 34 52-501590..... BODY, EXTRACTOR VALVE

NOT SHOWN  
 48-941225..... DECAL, BP WAND



# Truck Mount STAIR TOOL

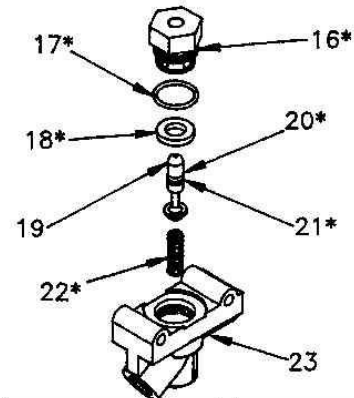
Long (28-1/2") #60-950518 AW39  
 Short (20") #60-950519

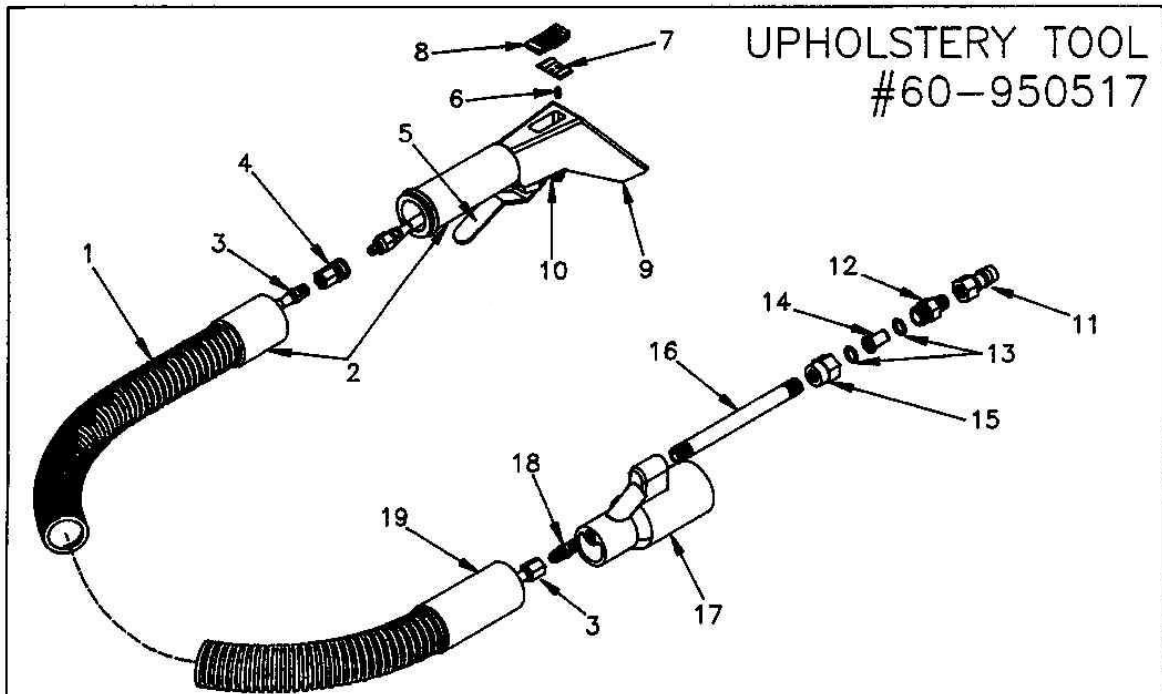


- 1 56-501715.....WD&HD, STAIR TL (Long)
- 1a 56-501907.....WD&HD, STAIR TL (Short)
- 2 52-501576.....BODY, WAND HANDLE
- 3 52-501577.....HOLD DOWN, WAND HDL
- 4 04-000053.....TIE, CABLE 8" WHITE (Long)
- 5 10-805330.....HOSE, 3/16x13-1/2" (Long)
- 5a 10-805397.....HOSE, 3/16x7-1/2" (Short)
- 6 17-803002.....TIP, SPRAY 9502x1/8P
- 7 00-000282.....SCREW, 1/4-20x1-1/4"
- 8 12-800060.....CONN, 1/4Px1/4T
- 9 00-000317.....SCREW, 10-32x1-1/4"
- 10 01-000241.....LOCK NUT, 10-32 HXHD
- 11 61-950496.....ASSY, EXTRACTOR VALVE
- 12 11-800029.....NIP, HEX 1/4
- 13 13-806000.....DSC, 1/4Mx1/4FP
- 14 52-501619.....TRIGGER, WAND VALVE
- 15 09-805359.....SLEEVE, WAND HANDLE (Long)
- 15a 09-805504.....SLEEVE, WAND HANDLE (Short)
- 16 16-808229.....HOLDER, VALVE STEM
- 17 43-810063.....O-RING, .551IDx.691OD
- 18 16-808228.....SEAT, EXTRACTOR VALVE
- 19 16-808189.....STEM, EXTRACTOR VALVE
- 20 43-810064.....BACK-UP, .250DIA
- 21 43-810062.....O-RING, .114IDx.254OD
- 22 16-808190.....SPRING, EXTRACTOR VALVE
- 23 52-501590.....BODY, EXTRACTOR VALVE

## #61-950496 EXTRACTOR VALVE DETAIL

REPAIR KIT, PART #66-808169  
 (Includes parts with \*)

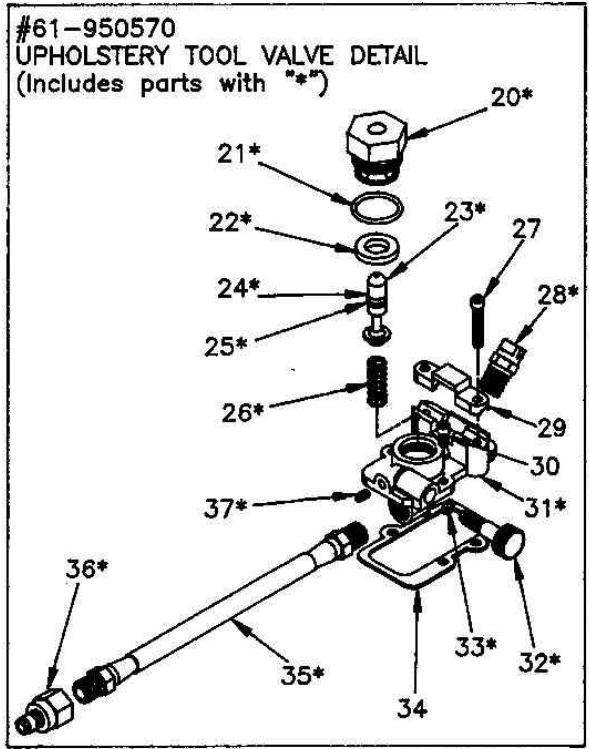




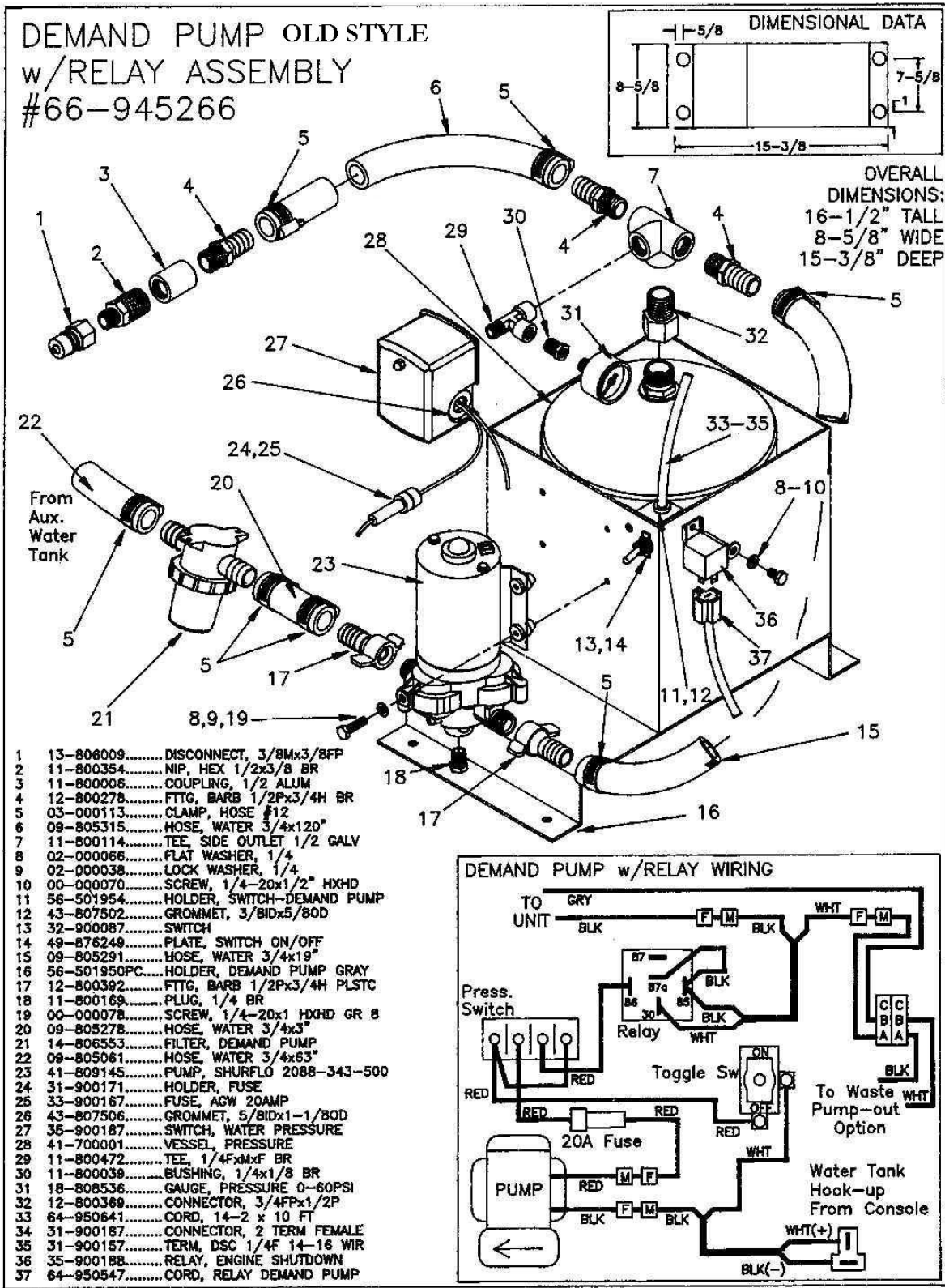
UPHOLSTERY TOOL  
#60-950517

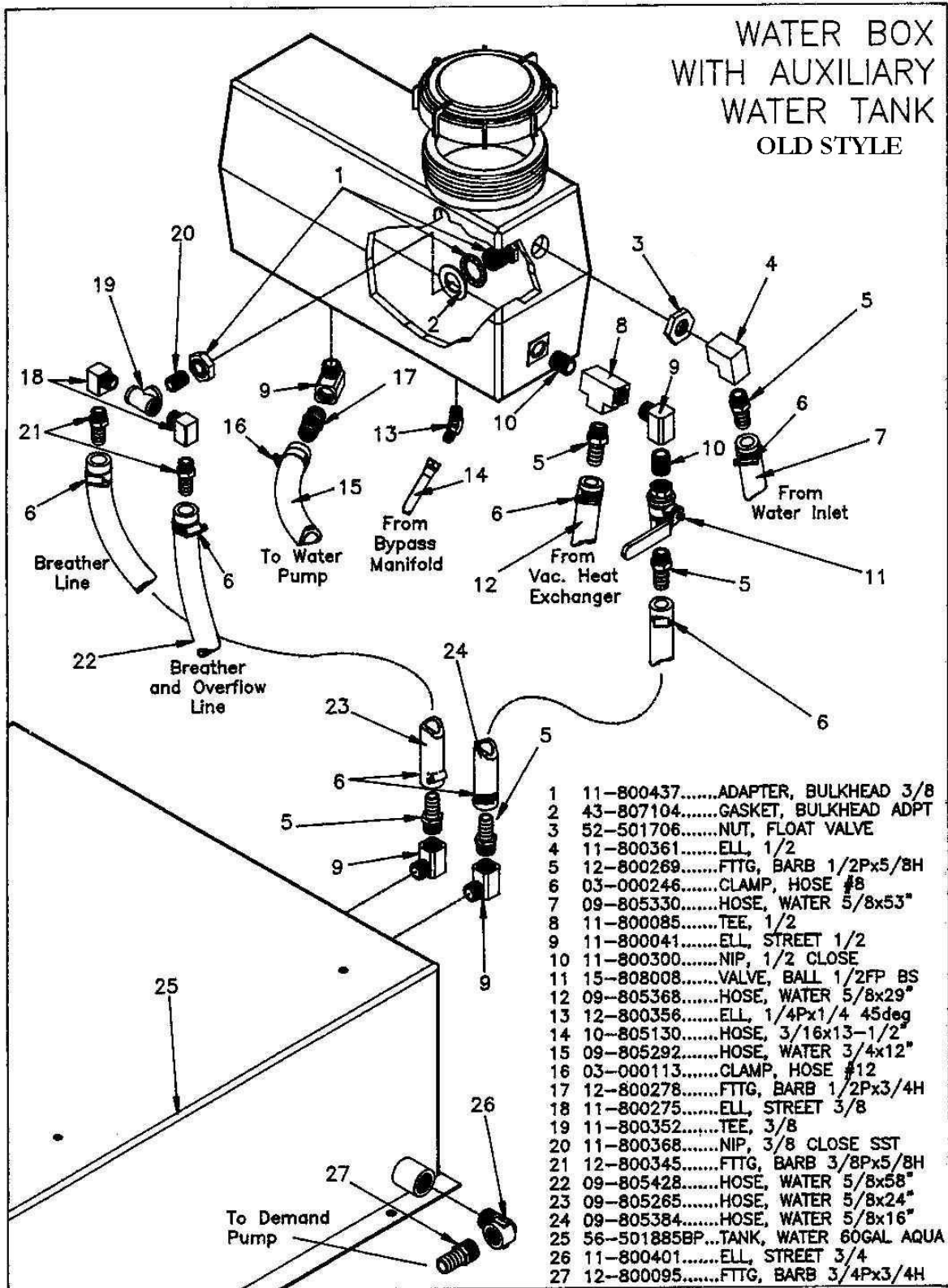
- 1 09-805131.....HOSE, VAC 1-1/4x10'
- 2 08-805243.....CUFF, SWIV 1-1/4Hx1-1/4T
- 3 10-805347.....HOSE, 3/16x119-1/2"
- 4 13-806023.....DSC, 1/8Fx1/8FP
- 5 58-500639.....CASTING, UPHLST TL TRIG
- 6 00-000310.....SCREW, 4-40x7/32"
- 7 04-000282.....SPRING, VAC ADJUST
- 8 52-501624.....BUTTON, VAC ADJUST
- 9 52-501842.....TOOL, UPHOLSTERY
- 10 61-950570.....ASSY, UPHLST TOOL VALVE
- 11 13-806000.....DSC, 1/4Mx1/4FP
- 12 17-803010.....CONN, 1/4MPx11/16-16M
- 13 17-803006.....WASHER, NYLON
- 14 14-806512.....STRAINER, JET SOMESH
- 15 17-803036.....CONN, 1/4FPx11/16-16F
- 16 11-800404.....NIP, 1/4x5" SST
- 17 52-501585.....COUPLER, UPHOLSTERY TL
- 18 12-800065.....CONN, 1/8Px1/4T
- 19 08-805138.....CUFF, 1-1/4Hx1-1/2T
- 20 16-808229.....HOLDER, VALVE STEM
- 21 43-810063.....O-RING, .551IDx.691OD
- 22 16-808228.....SEAT, EXTRACTOR VALVE
- 23 16-808189.....STEM, EXTRACTOR VALVE
- 24 43-810064.....BACK-UP, .25ODIA
- 25 43-810062.....O-RING, .114IDx.254OD
- 26 16-808190.....SPRING, EXTRACTOR VALVE
- 27 00-000306.....SCREW, 6-32x1"
- 28 17-803033.....TIP, SPRAY 80015x1/8P
- 29 58-500638.....CASTING, TRIGGER CLAMP
- 30 00-000307.....SCREW, 6-32x3/8"
- 31 52-501623.....VALVE, UPHOLSTERY TOOL
- 32 52-501626.....VALVE, ADJUST UPHLST TL
- 33 43-810016.....O-RING, 5/32IDx9/32OD
- 34 43-807513.....GASKET, UPHLST TOOL VLV
- 35 10-805348.....HOSE, 3/16x6-1/2"
- 36 13-806030.....DSC, 1/8Mx1/8FP
- 37 00-000408.....SCREW, SET 8-32x1/4"

NOT SHOWN  
66-808169.....KIT, REPAIR WAND VALVE  
(Includes Parts 20-22, and  
24-26)



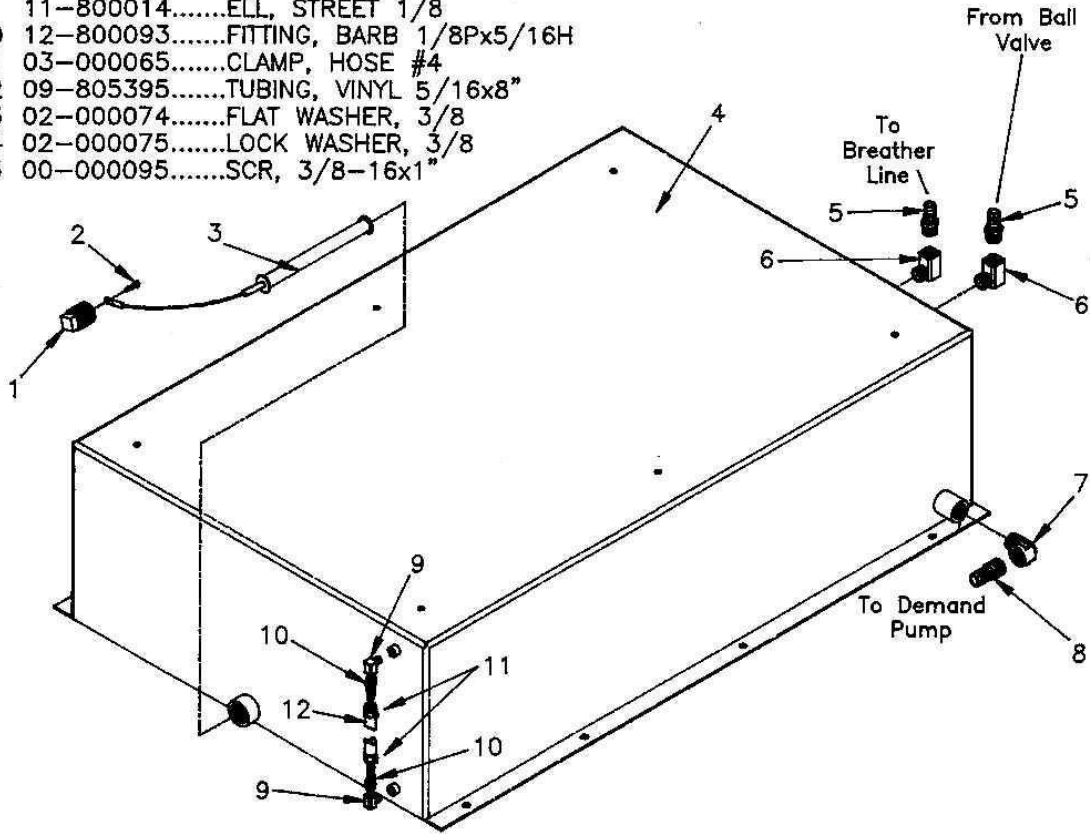
#61-950570  
UPHOLSTERY TOOL VALVE DETAIL  
(Includes parts with "\*\*")



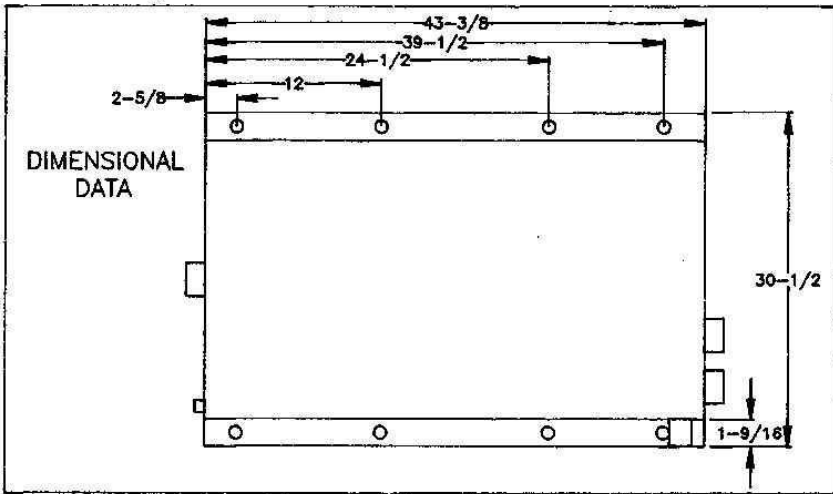


# AUXILIARY WATER TANK OLD STYLE

- 1 52-800318.....PLUG, ANODE WATER TANK
- 2 00-000067.....SCREW, SELF DRIVE #10x1/2"
- 3 36-900172.....ASSY, ANODE WATER TANK
- 4 56-501885BP...TANK, WATER 60GAL AQUA
- 5 12-800269.....FITTING, BARB 1/2Px5/8H
- 6 11-800041.....ELL, STREET 1/2
- 7 11-800401.....ELL, STREET 3/4
- 8 12-800095.....FITTING, BARB 3/4Px3/4H
- 9 11-800014.....ELL, STREET 1/8
- 10 12-800093.....FITTING, BARB 1/8Px5/16H
- 11 03-000065.....CLAMP, HOSE #4
- 12 09-805395.....TUBING, VINYL 5/16x8"
- 13 02-000074.....FLAT WASHER, 3/8
- 14 02-000075.....LOCK WASHER, 3/8
- 15 00-000095.....SCR, 3/8-16x1"

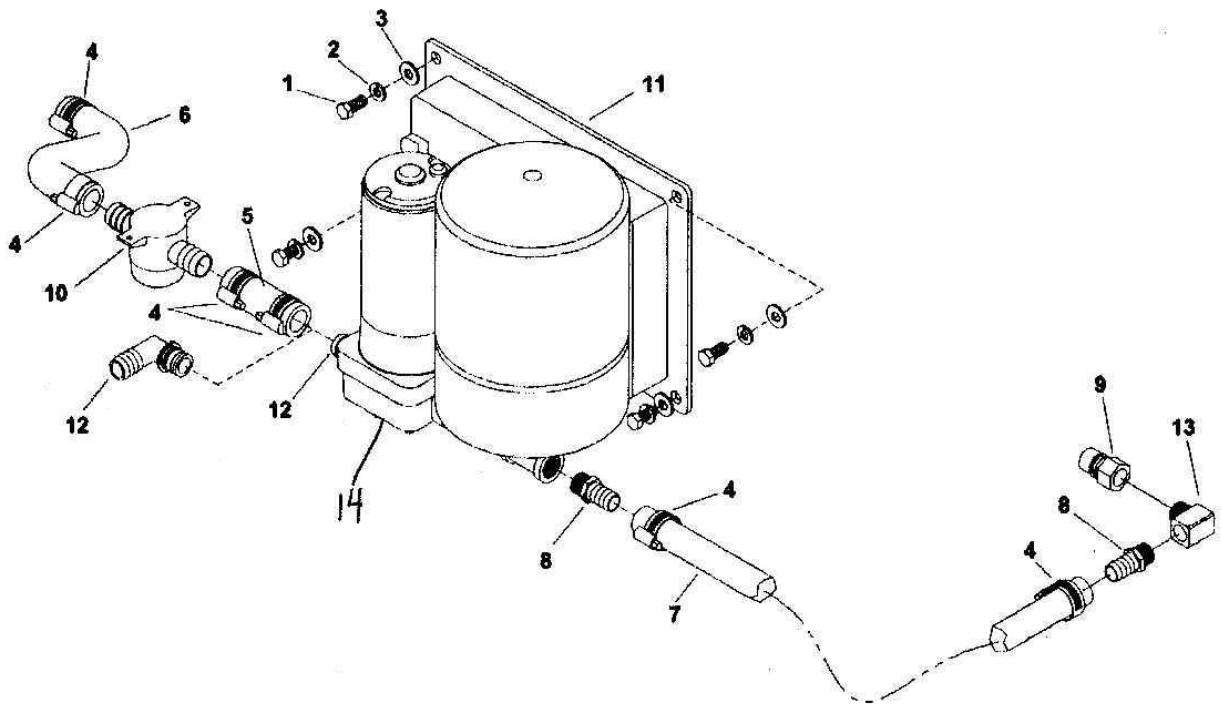


OVERALL DIMENSIONS:  
12" TALL  
30-1/2" WIDE  
44-7/8" DEEP





**WATER TANK - DEMAND PUMP-OPTIONAL**  
**NEW STYLE**



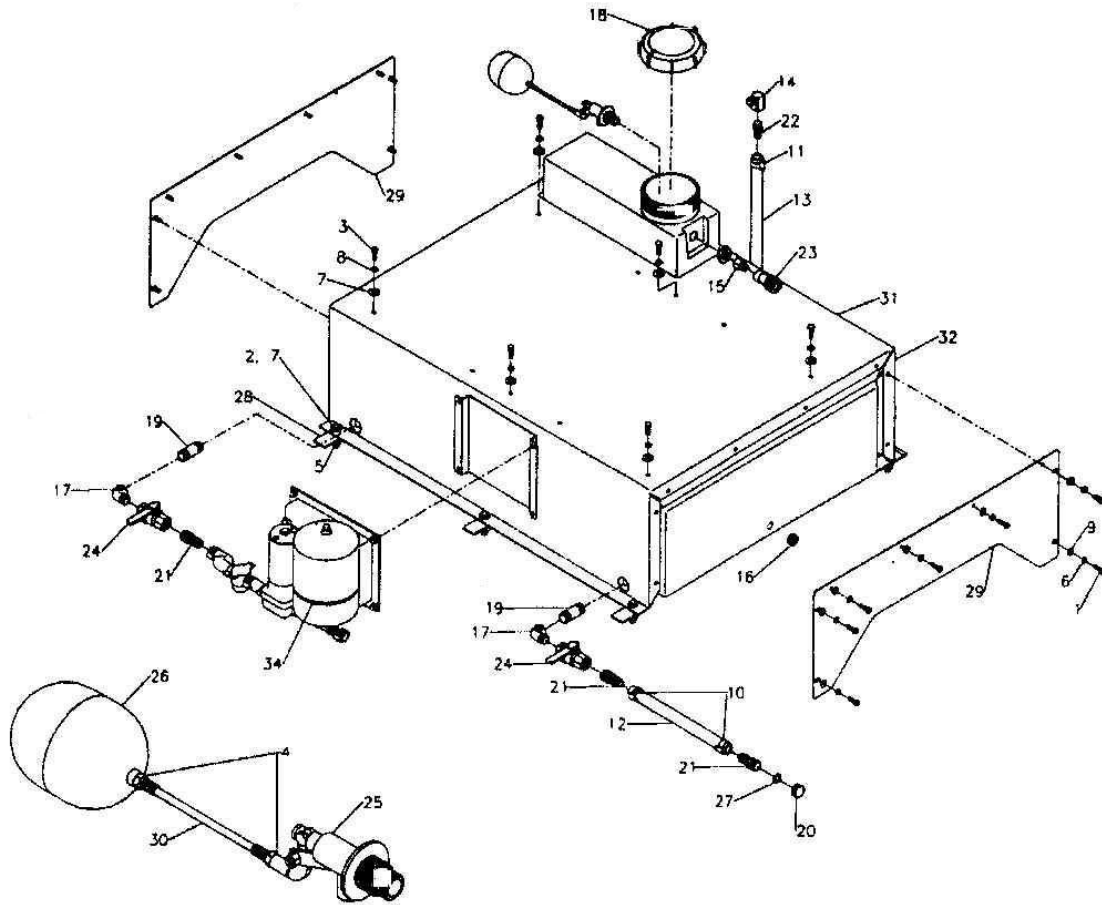
**Saber 2000**

**WATER TANK - DEMAND PUMP-OPTIONAL  
NEW STYLE**

REF	PART NO.	QTY	DESCRIPTION	SERIAL NO. FROM	NOTES:
1	70305	4	SCR, 5/16-18 X 3/4 HHCS GR5 PL TDL		
2	87083	4	WASHER, 5/16 SPLIT LOCK PLTD		
3	02-000143	4	WASHER, 5/16 FLAT		
4	03-000113	6	CLAMP, HOSE #12 SST		
5	09-805278	1	HOSE, WATER 3/4 X 3"		
6	09-805357	1	HOSE, WATER .75 X 5.5		
7	09-805446	1	HOSE, WATER 5/8 X 55		
8	12-800345	1	FTTG, BRB 3/8P X 5/8H BR	BR034	
9	13-806009	1	DISCONNECT, 3/8M X 3/8FP	PAF01	
10	14-806553	1	FILTER, DEMAND PUMP	PF01740-000	
11	41-905049	1	PUMP, WATER BOOSTER FLOJET 2	AP36	
12	20381-022	1	KIT, PORT Elbow & Straight 3/4" Barb		
13	11-800275	1	ELBOW, ST 3/8 BR	BR284	
14	65240	1	Pump Only - Flojet Replacement	AP34	

**Saber 2000**

**AUXILIARY WATER TANK ASSEMBLY UPDATE FOR 67-945422**  
**NEW STYLE**

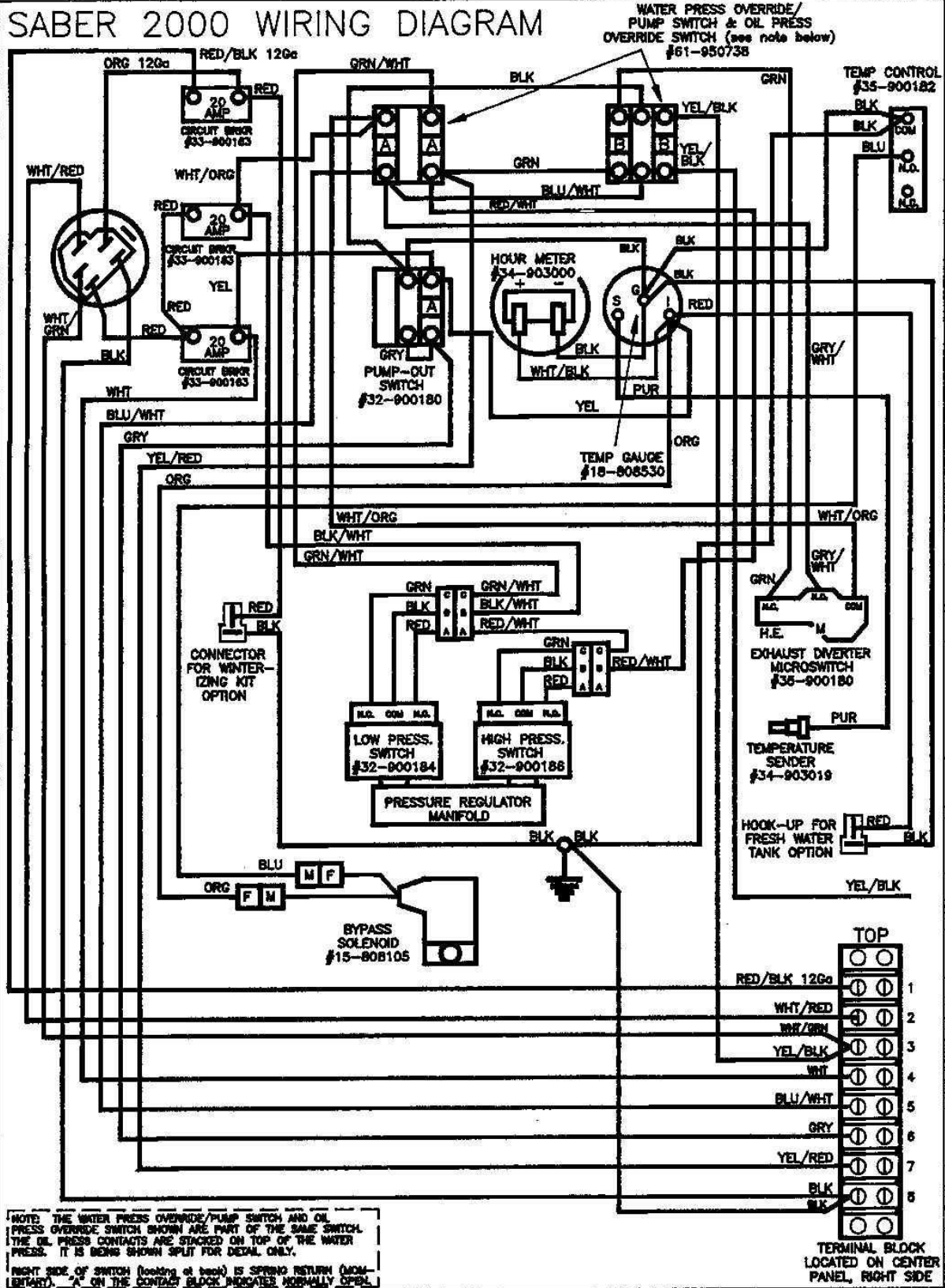


**Saber 2000**

**AUXILIARY WATER TANK ASSEMBLY FOR 67-945422**  
**NEW STYLE**

REF	PART NO.	DESCRIPTION	SERIAL NO. FROM	NOTES:
1	70302	SCR, 5/16-18 X 1" HHCS GR5 PLTD NP		
2	00-000072	SCR, 3/8-16 X 2" HXHD		
3	70266	SCR, 3/8-16 X 1" HHCS GR5 PLTD DL		
4	57008	NUT, 1/4-20 HEX		
5	57119	NUT, 3/8-16 HEX NYLOCK		
6	87083	WASHER, 5/16 SPLIT LOCK PLTD		
7	87171	WASHER, 3/8 FLAT		
8	87183	WASHER, 3/8 SPLIT LOCK PLTD		
9	02-000143	WASHER, 5/16 FLAT		
10	03-000113	CLAMP, HOSE #12 SST		
11	03-000248	CLAMP, HOSE #8 SST		
12	09-805100	HOSE, WATER 3/4 X 13.5		
13	09-805288	HOSE, WATER 5/8 X 27		
14	11-800041	ELBOW, STREET 1/2 BR		
15	11-800283	RED, 1/2FP X 3/8P BR		
16	11-800357	PLUG, 3/4 SOCHD BR		
17	11-800401	ELBOW, 3/4 ST BR		
18	11-800432	CAP, WATER BOX		
19	11-800525	NIP, 3/4 X 2-1/2 BR		
20	12-800052	CAP, HOS 3/4 BR		
21	12-800095	FTTG, BRB 3/4P X 3/4H BR		
22	12-800269	FTTG, BRB 1/2P X 5/8H BR		
23	13-806008	DSC, 3/8F X 3/8FP		
24	15-808072	VALVE, BALL 3/4FP BS		
25	15-808110	VALVE, FLOAT TM		
26	19-807014	BALL, FLOAT		
27	43-807008	WASHER, HOSE 5/8ID X 1"OD		
28	50-500511	PLATE, INSTALL MT		
29	50-502092	PLATE, FRT TANK SUPPORT		
30	54-501715	FLAT ROD, TM		
31	56-502505	ENCL, TANK SUPPORT W/ DEM PUMP		
32	58-500899	MLDG, WATER TANK 60G W/ OVRFI		
33	64-950681	HARNESS, WATER PUMP		NOT SHOWN
34	66-945614	KIT, DEM PUMP FLOJET 60G		

Saber 2000



# SABER 2000 WIRING DIAGRAM

